

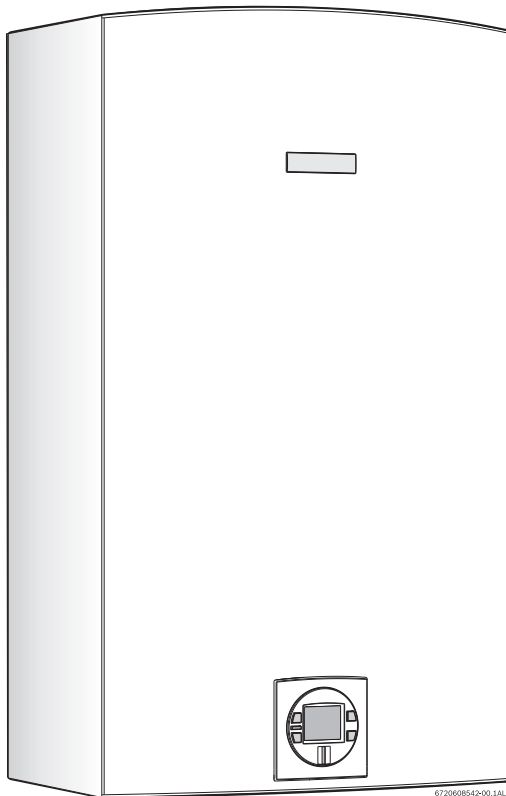
MODEL GWH 2700 ES NG and GWH 2700 ES LP - INDOOR MODEL

Temperature Modulated with Electronic Ignition

Suitable for heating potable water only

Not approved for space heating purposes

(Intended for variable flow applications)



BOSCH

AquaStar



GWH 2700 ES NG - Natural Gas

GWH 2700 ES LP - Liquefied Petroleum (LP) Gas

Warning: If the information in this manual is not followed exactly, a fire or explosion may result causing property damage, personal injury or death. Do not store or use gasoline or other flammable vapor and liquids in the vicinity of this or any other appliance.

Improper installation, adjustment, alteration, service or maintenance can cause injury or property damage. Refer to this manual. For assistance or additional information consult a qualified installer, service agency or the gas supplier.

In the Commonwealth of Massachusetts this product must be installed by a licensed plumber or gas fitter.

Upon completion of the installation, these instructions should be handed to the user of the appliance for future reference.

What to do if you smell gas

- Close gas valve. Open windows.
- Do not try to light any appliance.
- Do not touch any electrical switch; do not use any phone in your building.
- If you cannot reach your gas supplier, call the fire department.
- Immediately call your gas supplier from a neighbor's phone. Follow the gas supplier's instructions
- Installation and service must be performed by a qualified installer, service agency or the gas supplier.

Index

1	Warning	3	6	Maintenance and service	32
			6.1	Annual maintenance	32
			6.2	Winterizing for seasonal use	32
			6.3	Mineral scale build-up	33
			6.4	Adjusting CO ₂ (carbon dioxide)	33
			6.5	Program values	36
			6.6	Control board diagnostics	37
2	Appliance details	4	7	Troubleshooting	38
2.1	Features	4	7.1	Introduction	38
2.2	Specifications (Technical data)	5	7.2	Burner do not ignite when hot water is turned ON	38
2.3	Unpacking the heater	6	7.3	Water is too hot	38
2.4	General rules to follow for safe operation	7	7.4	Water is not hot enough	38
2.5	Dimensions and Minimum installation clearances	8	7.5	Low water flow/pressure	39
3	Installation instructions	9	7.6	Hot water temperature fluctuates at tap	39
3.1	Tools required for installation	9	7.7	Noisy burner/heater during operation	39
3.2	Introduction	9	8	Problem solving	41
3.3	Venting	9	8.1	Error code diagnostics	41
3.4	Combustion air requirements	20	9	Electrical diagram	45
3.5	Proper location for installing your heater	21	10	Sensor resistance charts	46
3.6	Heater placement and clearances	21	11	GWH 2700 ES Functional scheme	48
3.7	Mounting installation	21	12	Interior components diagram and parts list	49
3.8	Gas piping & connections	22	12.1	Interior components	49
3.9	Water connections	25	12.2	Components diagram	51
3.10	Water quality	25	13	Protecting the environment	57
3.11	Domestic hot water recirculation	26	14	Limited Warranty	58
3.12	Measuring gas pressure	27			
4	Electrical connections	28			
4.1	Electrical power supply	28			
4.2	Position of the fuses in control unit	28			
5	Operation instructions	29			
5.1	LCD Display functions	29			
5.2	For your safety read before operating your water heater	30			
5.3	Power	30			
5.4	Temperature selection	30			
5.5	Use of optional remote control accessory (part no. TSTAT2)	31			
5.6	Operation	31			
5.7	Reset button	31			
5.8	Program button	31			
5.9	Locked condition	31			

1 Warning

For your safety

Do not store or use gasoline or other flammable, combustible or corrosive vapors and liquids in the vicinity of this or any other appliance.



Warning: Carefully plan where you install the heater. Correct combustion air supply and flue pipe installation are very important. If a gas appliance is not installed correctly, fatal accidents can result, such as carbon monoxide poisoning or fire.



Warning: Exhaust gas must be vented to outside using stainless steel vent material suitable for category III vent systems and temperatures up to 480°F. Vent piping must be sealed gas-tight to prevent possibility of flue gas spillage, carbon monoxide emissions and risk of fire, resulting in severe personal injury or death. Approved vent terminators must be used when penetrating to the outside.



Warning: Place the heater in a location where water leaks will do NO DAMAGE to adjacent areas or lower floors.



Warning: Field wiring connections and electrical grounding must comply with local codes, or in the absence of local codes, with the latest edition of the National Electric Code, ANSI/NFPA 70, or in Canada, all electrical wiring must comply with the local codes and the Canadian Electrical Code, CSA C22.1 Part 1.



Warning: Shock hazard: line voltage is present. Before servicing the water heater, unplug power supply cord from outlet. Failure to do so could result in severe personal injury or death.



Warning: The heater must be disconnected from the gas supply piping system during any pressure testing of that system at test pressures equal to or more than 0.5 psig.



Warning: The appliance should be located in an area where leakage of the heater or connections will not result in damage to the area adjacent to the appliance or to lower floors of the structure. When such locations cannot be avoided, it is recommended that a suitable drain pan, adequately drained, be installed under the appliance. The pan must not restrict combustion air flow.



Warning: The maximum inlet gas pressure must not exceed the value specified by the manufacturer and that the minimum value listed is for the purposes of input adjustment.



Warning: If a water heater is installed in a closed water supply system, such as one having a backflow preventer in the cold water supply line, means shall be provided to control thermal expansion. Contact the water supplier or local plumbing inspector on how to control this situation.



Warning: Keeping appliance area clear and free from combustible materials, gasoline and other flammable vapors and liquids.



Warning: Do not obstruct the flow of combustion and ventilation air.



Warning: Precautions must be taken prior to manually operating the relief valve to avoid contact with hot water coming out of the relief valve and to prevent water damage.



Caution: Label all wires prior to disconnection when servicing controls. Wiring errors can use improper and dangerous operation. Verify proper operation after servicing.



Warning: In order for the freeze prevention kit to provide adequate protection, 120V AC must always be supplied to the water heater.



Warning: The anti freeze kit is designed to provide protection for the water heater down to approximately 5°F for short term conditions only. It will not protect the appliance in areas where the temperature is routinely expected to be below freezing.

- ▶ The anti freeze kit will not protect plumbing outside the appliance from freezing. Precautions should be taken.
- ▶ Always drain the water heater if it will be exposed to long term freezing conditions. See Section 6.2 Winterizing for seasonal use.



Warning: If a relief valve discharges periodically, this may be due to thermal expansion in a closed water supply system. Contact the water supplier or local plumbing inspector on how to correct this situation. Do not plug the relief valve.

FCC:

This device complies with Part 15 of the FCC rules. Operation is subject to the following two conditions: (1) This device may not cause harmful interference, and (2) this device must accept any interference received, including interference that may cause undesired operation.

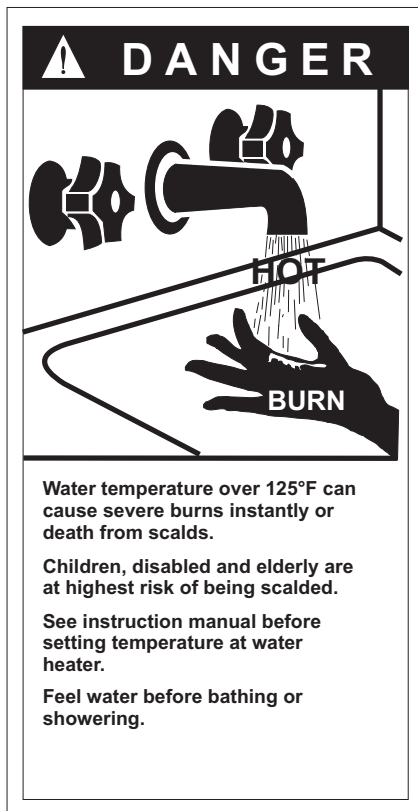


Fig. 1

2 Appliance details

2.1 Features

Parts

- Key Pad interface control
- High power pre-mix compact burner with low NOx emissions
- Modulating Gas Valve with constant gas:air ratio control
- Modulating water valve for improved comfort and temperature control.

High quality materials for long working life

- Copper heat exchanger
- High efficiency Ceramat Burner
- Compact space saver: mounts on a wall with a supplied bracket.

Features

- Real-time diagnostics for troubleshooting/informational purposes
- LCD Display with backlight
- On/Off and Temperature control switches
- Reset button
- Program button (Selectable temperature default)
- Failure codes for easy diagnostics and repair
- Easily removable one-piece cover
- Built in freeze prevention.

Note: The freeze prevention is designed to provide protection for the water heater down to approximately 5°F for short term conditions only. It will not protect the appliance in areas where the temperature is routinely expected to be below freezing.

- The freeze prevention will not protect plumbing outside the appliance from freezing. Precautions should be taken.

Accessories (Bosch part #)

- Optional wireless remote control accessory to operate with the appliance (TSTAT2)
- Cascading kit (TLINK)
- Outdoor kit (AQOK)
- Gas conversion kit (8719002176)
- Vertical vent kit (ESVT)
- Horizontal vent kit (AQ3ES¹)
- Stainless steel bird screen (L2594) (fits into a 3" PCV fitting - Intake vent).



BOSCH is constantly improving its products, therefore specifications are subject to change without prior notice.

1) AQ3 vent kit is compatible with this appliance but requires the purchase of an additional 12" piece of straight pipe to meet minimum vent length requirements. The aluminum flex piping included with this kit is not permissible for use with this appliance.

2.2 Specifications (Technical data)

Approved in US/Canada

Capacity

Maximum flow rate: 7.15 GPM (27 l/min) at a 45°F (25°C) rise.

Maximum output

160,500 Btu/h (47.0 kW)

Maximum input

199,000 Btu/h (58.3 kW)

Efficiency in %

Thermal efficiency > 82%

Min. Input

19,900 Btu/h (5.8 kW)

Temperature Control

Selection range: 100°F (38°C) - 140°F (60°C)

Default temperature: 122°F (50°C)

Stability: +/- 2°F (+/- 1°C)

Gas Requirement

Gas connection (inches) - 3/4"

Inlet gas pressure under operation (with a high hot water flow rate)*

- Propane: 8" - 13" water column
- Natural Gas: 3.5" - 10.5" water column.

* To measure gas pressure, see Measuring Gas Pressure, chapter 3.12.

Water

- Hot water connection (inches) - 3/4"
- Cold water connection (inches) - 3/4"
- Water valve material: Polymer (PPS) (Polypropylene Sulfid)
- Minimum water flow: 0.65 gallon/minute (2,5 l/m).
Note: Activation varies with inlet water temperatures from 0.65 - 1.6 gallon/minute.
- Minimum recommended water pressure: 30 PSI (2.07 bar)
- Minimum recommended well pressure: 40 PSI (2.75 bar), see chapter 3.9.
- Connections:
 - Bottom of heater

Combustion

- NO_x ≤ 40 Ng/J (Nanograms of NO_x (calculated as NO₂) per Joule of heat output).
- CO ≤ 250 ppm (measured)
- CO₂ level set from factory, see chapter 6.4.

Dimensions

- Depth (in): 11 1/4" (286 mm)
- Width (in): 17 7/8" (452 mm)
- Height (in): 30 1/2" (775 mm)
- Weight: 67 pounds (30,5 kg).

Gas types

Natural Gas.

LP Gas.

Converting the gas type can only be done by a certified gas technician with a calibrated CO₂ analyzer.

Call Bosch Water Heating through Bosch thermotechnology corp. for conversion instructions.

Voltage

120 V AC (60 Hz) nominal

Amperage

Idle - 40 mA

Operation - ≤ 2.5 A

Noise

45 - 65 db (A)

Safety devices

- Flame failure device (ionization flame rod sensor)
- Pressure relief valve (supplied with heater)
- Over heat prevention (temperature limiter)
- Inlet temperature sensor
- Outlet temperature sensor
- Backflow temperature sensor.

Water protection

IP X4 (protection against water drops)



If appliance is installed at elevations above 2000ft, refer to section 3.3.6 Fan speed adjustment.

2.3 Unpacking the heater

Before installing the unit, be certain you have the correct heater for your type of Gas: Propane or Natural Gas. Identification labels are found on the shipping box, and on the rating plate which is located on the right side panel of the cover.

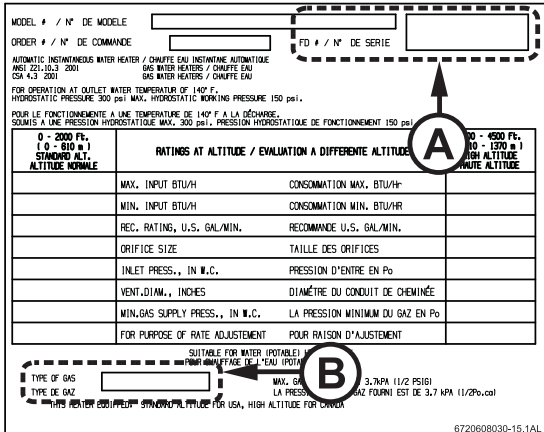


Fig. 2 Rating plate

- A Serial number
- B Type of gas

The box includes:

- GWH 2700 ES
- Pressure relief valve (150 psi / 200,000 Btu rating)
- Bracket for wall hanging the heater
- Exhaust vent adaptor (with 4 screws and gasket provided)
- Combustion air inlet adaptor (with 3 screws and gasket provided)
- Installation manual (manual can be downloaded at www.boschhotwater.com)
- Product registration card
- Energy Guide label.

Please complete and return the enclosed product registration card.

The GWH 2700 ES is not approved or designed for:

- Manufactured (mobile) homes, boats or any mobile installation (modular homes are acceptable for installation)
- Use above 8000 ft A.S.L. altitude (see page 18)
- Outdoor installation without installation of Outdoor kit (AQOK)
- Space heating purposes
- Preheated inlet water supply.

To remove front cover

- ▶ Loosen the two Philips head screws located on bottom rear of cover (see Fig. 3).

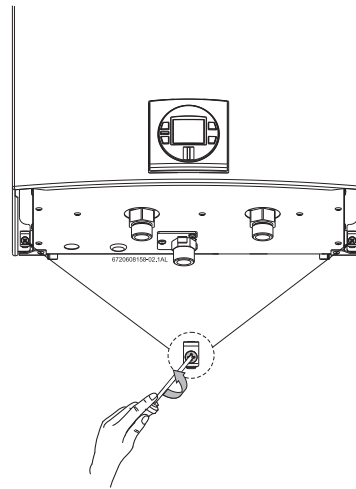


Fig. 3 Loosen the two screws

- ▶ Lift front cover panel upward and remove.

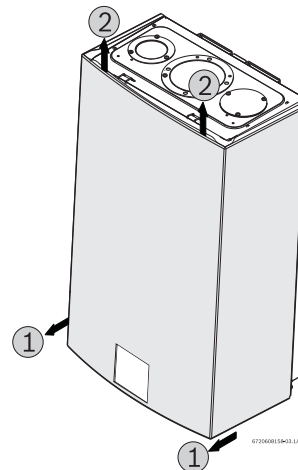


Fig. 4 Removing the front cover

To remove combustion cover (service only)

- ▶ Open the four clips and remove the combustion cover see Fig. 5.

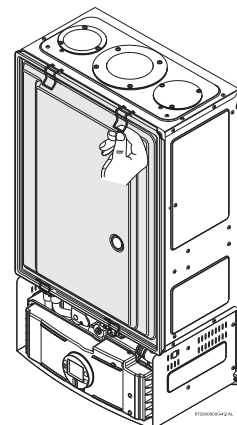
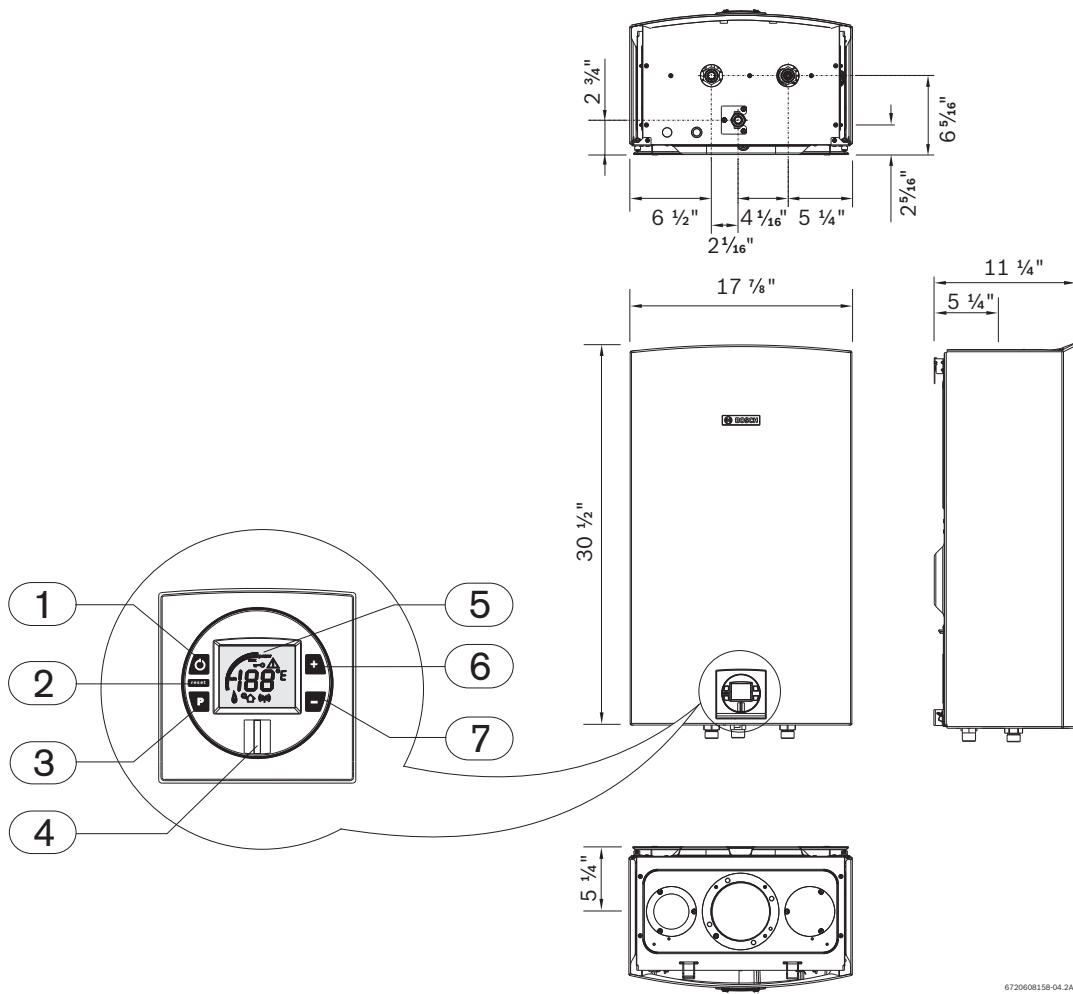


Fig. 5 Remove the combustion cover

2.4 General rules to follow for safe operation

- ▶ **1.** You must follow these instructions when you install your heater. In the United States: The installation must conform with local codes or, in the absence of local codes, the National Fuel Gas Code ANSI Z223.1/ NFPA 54.
In Canada: The Installation must conform with CGA B149.(1,2) INSTALLATION CODES and /or local installation codes.
- ▶ **2.** Carefully plan where you install the heater. Correct combustion air supply and vent pipe installation are very important. If not installed correctly, fatal accidents can occur, such as carbon monoxide poisoning or fire.
- ▶ **3.** When the unit is installed indoors and ROOM SEALED (twin pipe) it is permitted to be located in bathrooms, bedrooms and occupied rooms that are normally kept closed. See chapter 3.3 (page 9). If the unit will be installed indoors and use indoor combustion air, the place where you install the heater must have enough ventilation. **The National Fuel Gas Code does not allow UNSEALED gas fired water heater installations in bathrooms, bedrooms or any occupied rooms normally kept closed.** See chapter 3.5 (page 21) and 3.4 (page 20).
- ▶ **4.** You must vent your heater. See chapter 3.3 on VENTING.
- ▶ **5.** The appliance and its gas connection must be leak tested before placing the appliance in operation. The appliance must be isolated from the gas supply piping system by closing its individual manual gas shutoff valve (not supplied with heater) during any pressure testing at pressures in excess of ½ Psig (3.5 kPa).
- ▶ **6.** Keep water heater area clear and free from combustibles and flammable liquids. Do not locate the heater over any material which might burn.
- ▶ **7. Correct gas pressure** is critical for the proper operation of this heater. Gas piping must be sized to provide the required pressure at the maximum output of the heater, while all the other gas appliances are in operation. Check with your local gas supplier, and see the section on connecting the gas supply. See Section 3.8, page 17.
- ▶ **8.** Should overheating occur or the gas supply fail to shut off, turn off the gas supply at the manual gas shut off valve, on the gas line. Note: manual gas shutoff valve is not supplied with the heater but must be field installed.
- ▶ **9.** Do not use this appliance if any part has been underwater. Immediately call a qualified service technician to inspect the appliance and to replace any part of the control system and any gas control which has been underwater.
- ▶ **10.** Failure to install heater correctly may lead to unsafe operation and void the warranty.

2.5 Dimensions and Minimum installation clearances



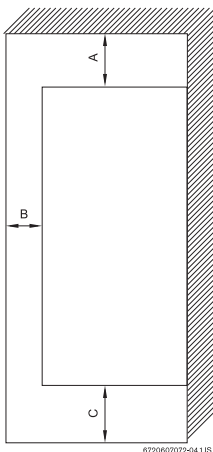
6720608158-04-2AL

Fig. 6 Dimensions

- 1 On/Off button
- 2 Reset button
- 3 Program key
- 4 Power ON or stand-by LED
- 5 LCD display
- 6 Up button
- 7 Down button

	Model GWH 2700 ES
TOP (A)	12"
FRONT (B)	1"
BACK	0"
SIDES	1"
FLOOR (C)	12"

Table 1 Minimum clearances



6720607072-04-1JS

Fig. 7 Minimum clearances

Note: For servicing access, a 2ft clearance to front cover is recommended.

3 Installation instructions

3.1 Tools required for installation

- Philips head screwdriver
- Flat head screwdriver
- Adjustable wrench
- Level
- Thermometer
- Standard plumbing tools
- Manometer
- Drill
- Pipe wrench
- Adjustable pliers
- Pipe fitting tools
- Hacksaw
- Hole saw.

3.2 Introduction

Please follow these instructions. Failure to follow instructions may result in:

- ▶ Damage or injury.
- ▶ Improper operation.
- ▶ Loss of warranty.

If you are unable to perform the tasks required to install this heater properly, please contact a locally licensed plumber or gas technician.



Common installation practice is to determine the venting/intake system layout and penetration and then work back to the heater.

3.3 Venting



Warning: Do not reduce the vent (exhaust and combustion) pipe sizes and do not common vent with any other vented appliance or stove.



Warning: Failure to vent the exhaust gases to the outside with sealed stainless steel vent pipe (AL29-4C) may result in dangerous flue gases filling the structure in which it is installed.



Warning: Do not mix vent pipe or joining methods from different manufacturers.



Warning: Approved terminators must be used for inlet and exhaust vent systems to prevent rain from entering the appliance. Failure to do so may result in damage to the appliance. This failure is not covered under the manufacturer's warranty.



Caution: The vent system must be installed by a qualified installer in accordance with these instructions. If improperly installed, a hazardous condition such as explosion or carbon monoxide poisoning could result. Bosch Water Heating will not be responsible for improperly installed appliances.



Warning: In areas where outside temperatures routinely come close to freezing, sealed combustion operation is required. Use separate terminations for combustion and vent, which must be installed on the same wall or roof surface, however never facing the direction of prevailing winds. Failure to do so may result in heat exchanger freezing up and bursting. This failure is not covered under the manufacturer's warranty.

3.3.1 Vent material

Establish vent clearances that comply with the vent manufacturer's specifications. In all cases, follow local codes. See Table 2.

	Diam.	Material
Exhaust Vent	3 or 4 inches	Sealed single wall stainless steel (AL29-4C)
Intake Vent	3 or 4 inches	Sealed PVC or any other rigid pipe

Table 2 Venting Specifications

Horizontal venting systems only:

An optional stainless concentric vent/air intake termination can be used to provide only one penetration point through the exterior wall (see Fig. 8, 9 & 10). The concentric vent/air intake kit can be ordered from your local wholesaler. (Part# ESHCK). **Note: Vent piping and terminal used with concentric vent/air intake kit must be from the same vent pipe manufacturer. The appliance can also be installed with separate air intake and exhaust piping (see Fig. 15).**

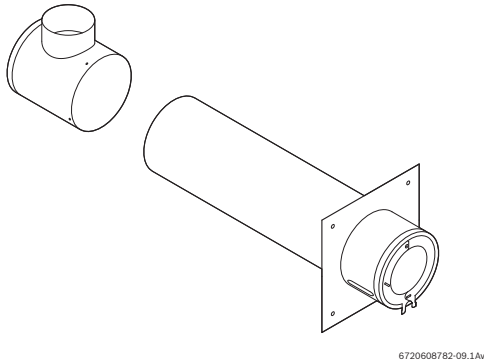


Fig. 8 Concentric kit part # ESHCK

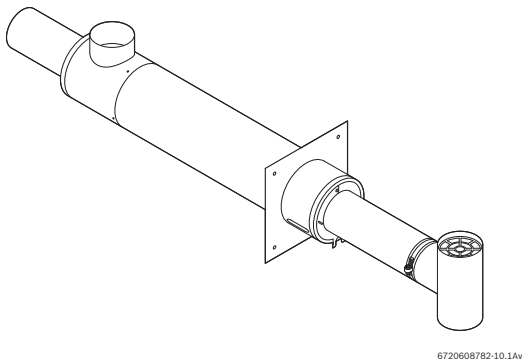


Fig. 9 Concentric kit vent assembly

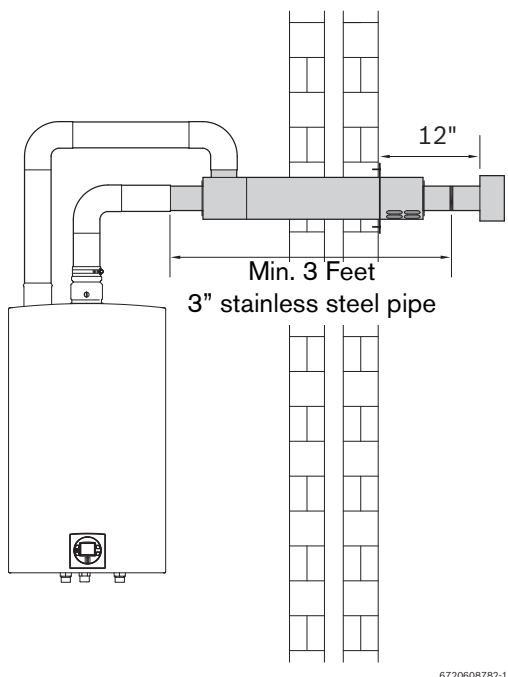


Fig. 10 Concentric kit installation

3.3.2 Venting Specifications

Install appliance as close to point of vent termination as possible. The exhaust piping must vent directly to the outside of the structure.

Horizontal sections of vent must pitch upward towards termination 1/4" for every foot of horizontal length, to prevent the pooling of condensate, and be supported at 4 foot intervals with overhead hangers.

Exception: horizontal run between last elbow and termination must pitch down to termination 1/4" per foot. Note: For horizontal terminations, venting must terminate once it penetrates to the outside of the structure. There must be no sections of vent pipe exposed to the outdoors other than the termination. Note: Listed thimbles or collars are necessary where venting passes through wall and ceiling partitions. If the vent system passes through combustible areas where the vent clearance requirements cannot be maintained, it is permissible to chase straight sections of sea led 3 inch single wall vent through 4 inch (or greater) T type-B vent. The distance to combustibles using this chase technique is 1 inch 1). Note: Type-B vent must never be used as the actual exhaust vent system for the appliance, as it is not gas tight and illegal for use with this appliance. This will create a serious health hazard and void the warranty.

3" VENTING	Z flex	Protech	Heat Fab
3 or 4" 90° elbow	2SVEEWCF0390	FSELB9003	9314
3" Horizontal Terminal	2SVSTB03	FSTB3	9390 TEE
3" Vertical Terminal	2SVSRCF03	FSRC3	5300CI

Table 3 Terminator Part Numbers

Fittings or Piping	Equivalent	
	feet	m
45 degree elbow	1.25	0.38
90 degree elbow	2.5	0.76
pipe per foot	1	0.30

Table 4 Friction Loss Equivalent in piping and fittings

For specific questions concerning vent material, specifications, usage or installation, please contact the vent manufacturer directly.

Company	Contact info
Z-flex	www.z-flex.com 800-654-5600
ProTech Industries	www.protechinfo.com 800-766-3473
Heat-Fab	www.heatfab.com 800-772-0739

Table 5 Vent manufacturers

Condensate drain requirements

An external condensate drain (not supplied with the heater) must be installed under the following conditions:

- All vertical terminating vent installations.
- Horizontal terminating vent installations where the total linear vent length is greater than 10 feet (3.1 m).
- Vent installations where any section of the exhaust vent pipe passes through an unconditioned space.

Twin pipe termination clearances

The minimum clearance between exhaust vent and combustion air inlet terminations for twin pipe penetration is 3 feet.

Minimum combustion air and exhaust pipe length

The minimum exhaust pipe length is 3 feet (1m) of straight vent pipe. The minimum combustion air pipe length is one 90° elbow.

Maximum combustion air and exhaust pipe length

The following table (Table 6) displays the maximum allowable straight pipe lengths for combustion air and exhaust piping with consideration to the number of elbows used.

Air intake or Exhaust system		# of 90° elbows				
		0	1	2	3	4
# of 45° elbows	0	N/A*	26	21	16	11
	1	N/A*	23	18	13	8
	2	23	20	15	10	5
	3	20	17	12	7	N/A**
	4	17	14	9	4	N/A**
	5	14	11	6	N/A**	N/A**
	6	11	8	3	N/A**	N/A**
		Maximum allowable straight pipe length (ft)				

Table 6 Maximum allowable straight pipe length

* Not allowed. At least one 90° elbow required.

** Not allowed. Minimum of 3 feet (1m) of straight pipe required.



Note: 90° elbows used for terminations should not be counted in the exhaust and combustion air piping.

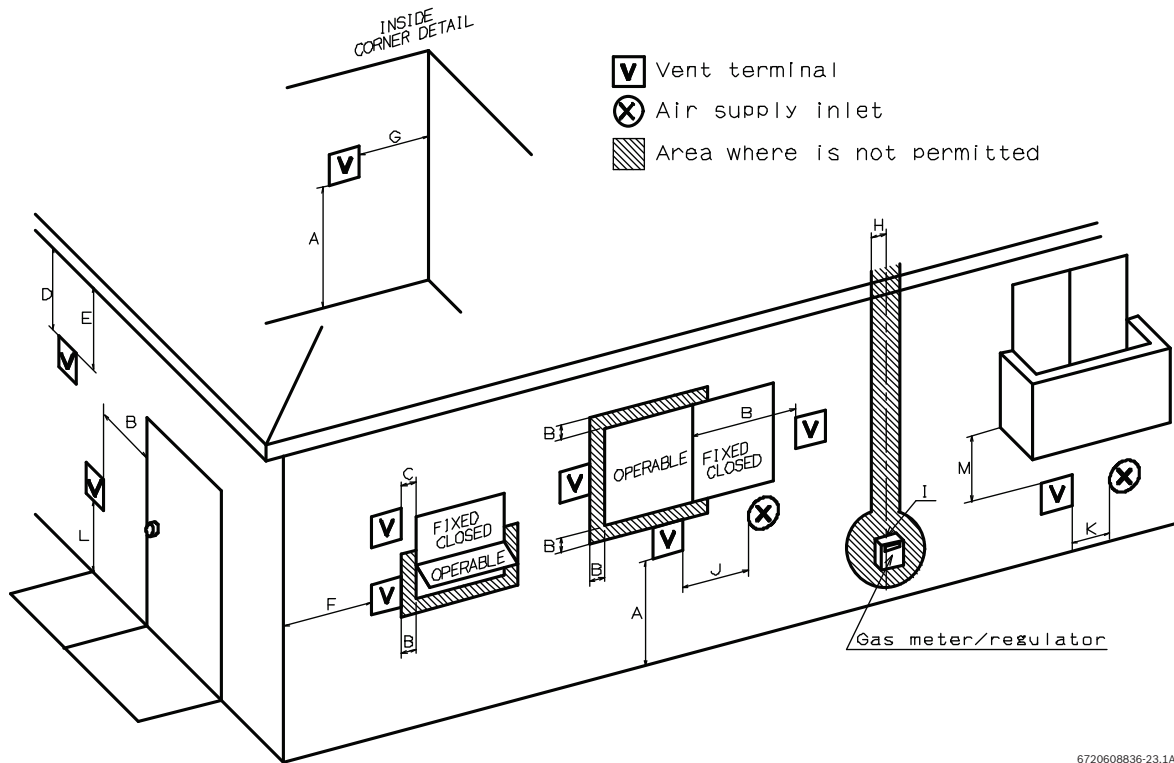
Step 1: Total the number of 90° elbows and 45° elbows used on the exhaust piping.

Step 2: Use this value in the table to determine the maximum straight exhaust pipe length allowed.

Step 3: Total the number of 90° elbows and 45° elbows used on the combustion air piping.

Step 4: Use this value in the table to determine the maximum straight combustion air pipe length allowed.

Required direct vent terminal clearances (twin pipe / concentric penetration)



6720608836-23.1Av

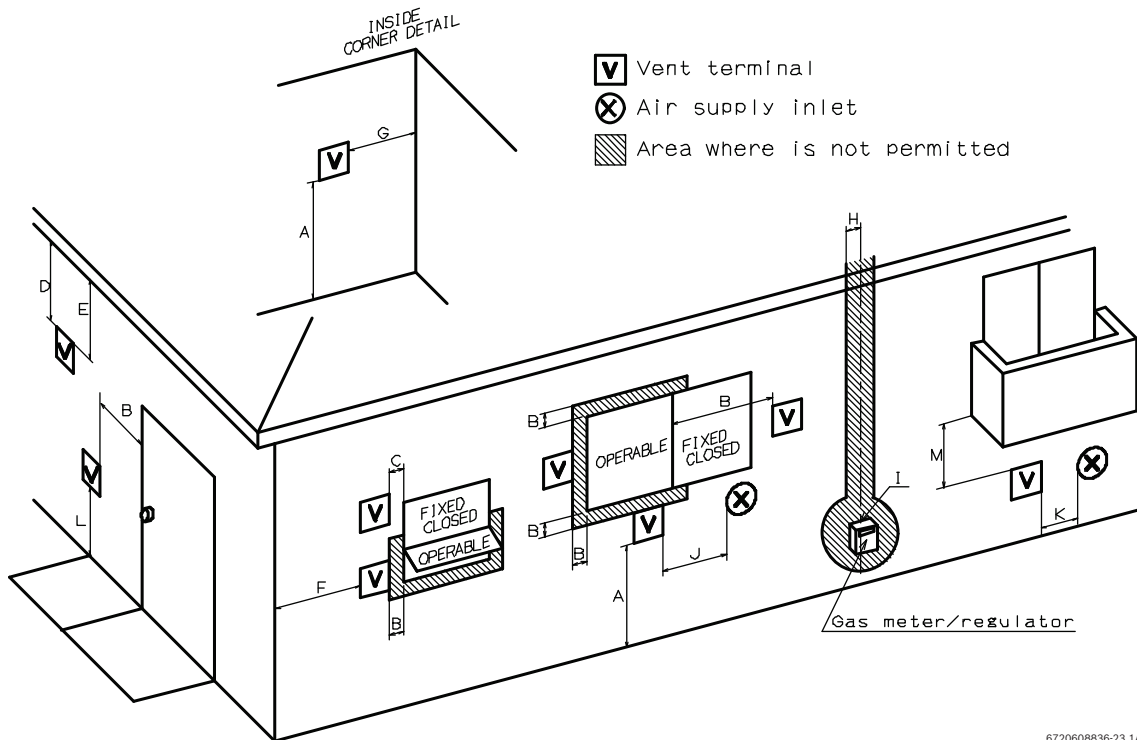
Fig. 11

		Canadian installations ¹⁾	U.S. installations ²⁾
A	Clearance above grade, veranda, porch, deck or balcony	12 in.	12 in.
B	Clearance to window or door that may be opened	36 in.	12 in.
C	Clearance to permanently closed window	*	*
D	Vertical clearance to ventilated soffit located above the vent terminator within a horizontal distance of 2 feet (61 cm) from the center line of the terminator	*	*
E	Clearance to unventilated soffit	*	*
F	Clearance to outside corner	*	*
G	Clearance to inside corner	*	*
H	Clearance to each side of center line extended above meter/ regulator assembly	36 in. within a height 15 feet above meter/ regulator assembly	*
I	Clearance to service regulator vent outlet	36 in.	*
J	Clearance to non-mechanical air supply inlet to building or the combustion air inlet to any other application	36 in.	12 in.
K	Clearance to mechanical air supply inlet	72 in.	36 in. above if within 10 feet horizontally
L	Clearance above paved sidewalk or paved driveway located on public property	84 in. ³⁾	*
M	Clearance under veranda, porch deck or balcony	12 in. ⁴⁾	*

Table 7

1) In accordance with the current CSA B149.1 Natural Gas and Propane Installation Code
 2) In accordance with the current ANSI Z223.1 / NFPA 54 National Fuel Gas Code
 3) A vent shall not terminate directly above a sidewalk or paved driveway that is located between two single family dwellings and serves both dwellings.
 4) Permitted only if veranda, porch, deck or balcony is fully open on a minimum of two sides beneath the floor.
 * For clearances not specified in ANSI Z223.1 / NFPA 54 or CSA-B149.1, one of the following shall be indicated:
 a) A minimum clearance value determined by testing in accordance with section 2.20, or;
 b) A reference to the following footnote:
 "Clearance in accordance with local installation codes and the requirements of the gas supplier."

Required other than direct vent terminal clearances (single pipe penetration)



6720608836-23.1Av

Fig. 12

		Canadian installations ¹⁾	U.S. installations ²⁾
A	Clearance above grade, veranda, porch, deck or balcony	12 in.	12 in.
B	Clearance to window or door that may be opened	36 in.	4 feet below or to side of opening; 1 foot above opening
C	Clearance to permanently closed window	*	*
D	Vertical clearance to ventilated soffit located above the vent terminator within a horizontal distance of 2 feet (61 cm) from the center line of the terminator	*	*
E	Clearance to unventilated soffit	*	*
F	Clearance to outside corner	*	*
G	Clearance to inside corner	*	*
H	Clearance to each side of center line extended above meter/regulator assembly	36 in. within a height 15 feet above meter/regulator assembly	*
I	Clearance to service regulator vent outlet	36 in.	*
J	Clearance to non-mechanical air supply inlet to building or the combustion air inlet to any other application	36 in.	4 feet below or to side of opening; 1 foot above opening
K	Clearance to mechanical air supply inlet	72 in.	36 in. above if within 10 feet horizontally
L	Clearance above paved sidewalk or paved driveway located on public property	84 in. ³⁾	84 in.
M	Clearance under veranda, porch deck or balcony	12 in. ⁴⁾	*

Table 8

- 1) In accordance with the current CSA B149.1 Natural Gas and Propane Installation Code
- 2) In accordance with the current ANSI Z223.1 / NFPA 54 National Fuel Gas Code
- 3) A vent shall not terminate directly above a sidewalk or paved driveway that is located between two single family dwellings and serves both dwellings.
- 4) Permitted only if veranda, porch, deck or balcony is fully open on a minimum of two sides beneath the floor.
- * For clearances not specified in ANSI Z223.1 / NFPA 54 or CSA-B149.1, one of the following shall be indicated:
 - a) A minimum clearance value determined by testing in accordance with section 2.20, or;
 - b) A reference to the following footnote:
 - "Clearance in accordance with local installation codes and the requirements of the gas supplier."

3.3.3 Venting configuration examples

Below are approved examples of horizontal venting installations.

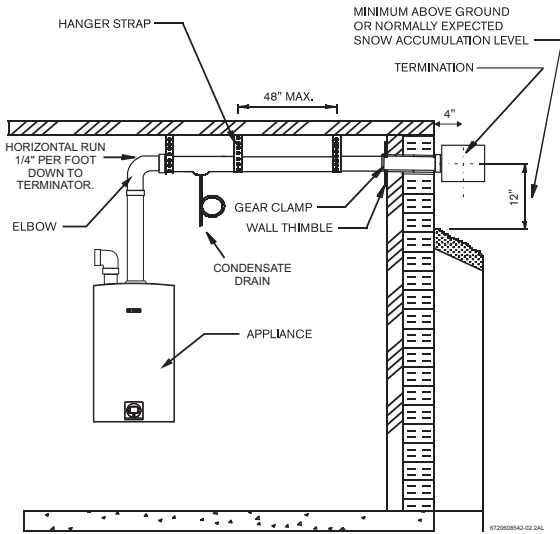


Fig. 13 Horizontal side wall venting installation (single pipe penetration)*

*** Warning: for non-freezing climates only!**

Important:

Note: Pitch horizontal runs down toward the heater, except horizontal run between last elbow and termination which must slope down to termination 1/4" per foot.

Note: For horizontal terminations, venting must terminate once it penetrates to the outside of the structure. There must be no sections of vent pipe exposed to the outdoors.

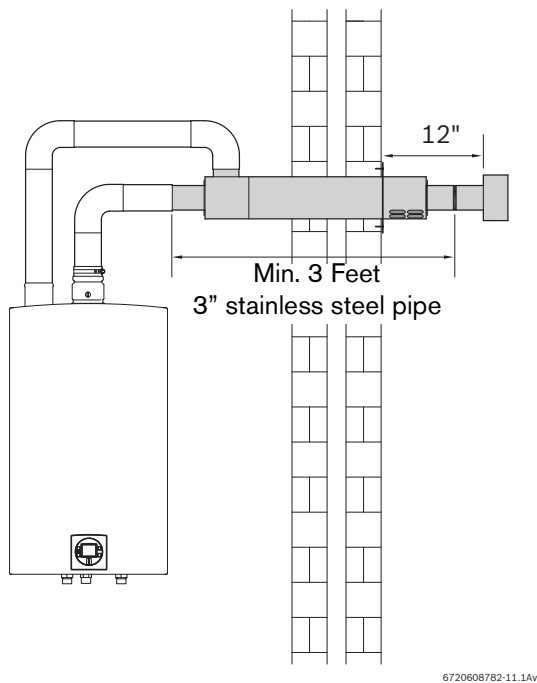


Fig. 14 Horizontal venting installation (concentric penetration)

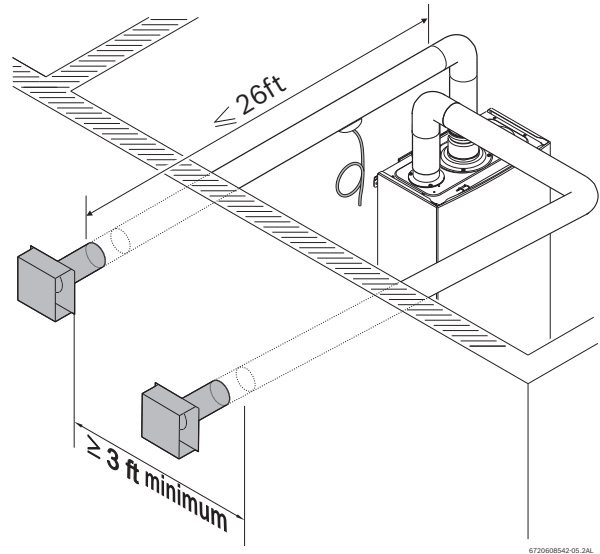


Fig. 15 Horizontal twin pipe penetration

Below are approved examples of vertical venting installations.

Important:

Note: Pitch horizontal runs down toward the heater, 1/4" per foot.

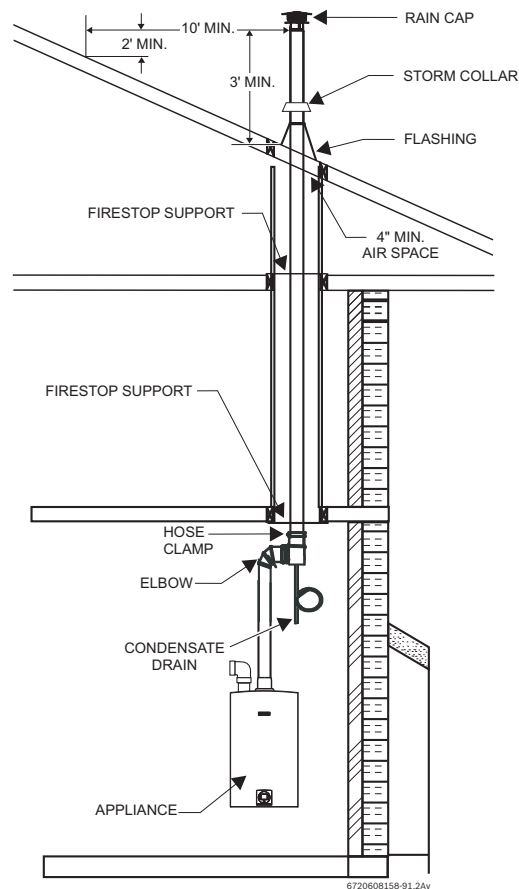


Fig. 16 Vertical venting installation (single pipe penetration)*

*** Warning: for non-freezing climates only!**

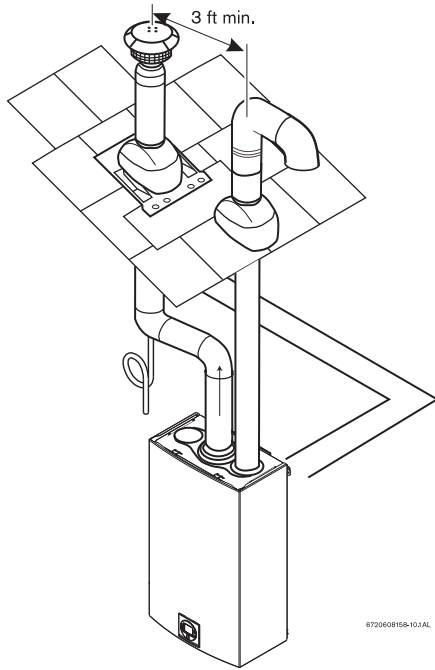


Fig. 17 Vertical venting installation (twin pipe penetration)

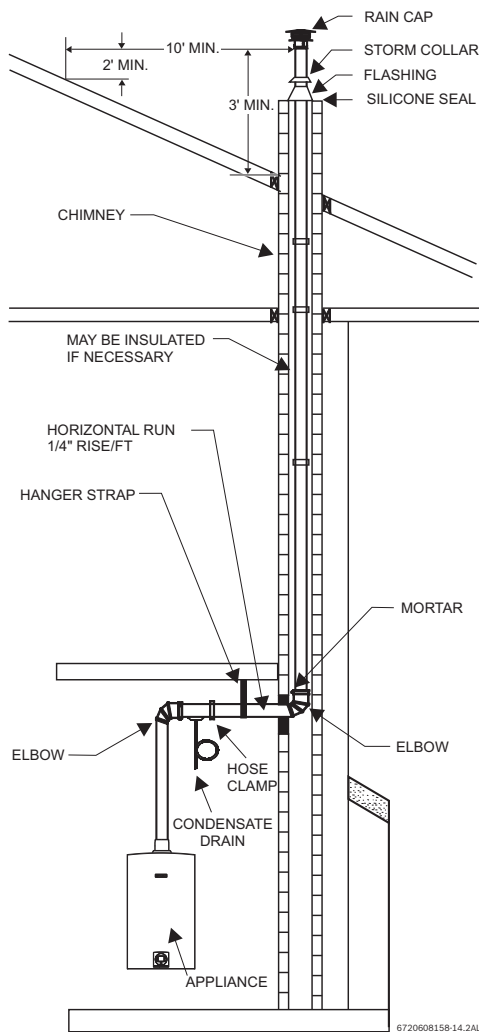


Fig. 18 Vertical venting installation - Masonry Chimney (combustion air piping not shown)

3.3.4 Vent connections

- ▶ Attach the flue gas exhaust accessory (8 705 504 162) to the top of the unit (position 1) using the 4 screws and gasket provided. Fully insert stainless steel vent pipe 1.5" minimum into the accessory and tighten the clamp (position 2).

i NOTE: Vent pipe must be completely vertical when inserting or gasket inside exhaust accessory can become displaced. Exhaust accessory can be removed with vent pipe attached to check gasket position.

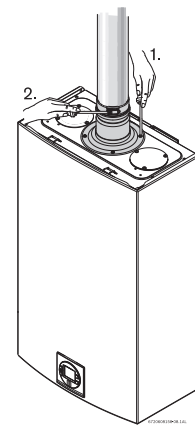


Fig. 19

- ▶ Attach the combustion air inlet accessory (8 705 504 116) to the top of the unit (position 3) using the 3 screws and gasket provided, and install air intake pipe over the accessory. NOTE: The appliance has the option to mount the combustion air inlet accessory on the top right or on the top left side of the heater. The combustion air inlet that is not used must be kept sealed.

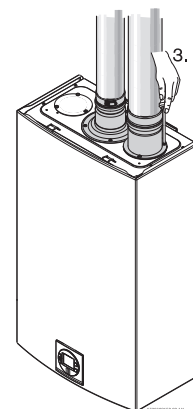


Fig. 20

- ▶ Ensure that exhaust vent pipe is fully inserted in collar to enable proper connection.

i Exhaust venting must be 3" or 4" sealed single wall stainless steel (AL29-4C) vent pipe.

3.3.5 Condensate drain installation

Note: Do not install condensate drain in areas where it may freeze.

1. Install condensate drain as close to heater as possible.
2. Use 3/8" ID high temperature silicone tube to connect to condensate drain port. Do not use copper piping for any portion of the condensate drain.
3. Form a condensate trap by means of a 3" loop partially filled with water.
4. To increase the tube length, connect to end of the high temperature silicone tubing with vinyl tubing, PVC or CPVC pipe. Do not reduce the internal diameter at any point.
5. Dispose of condensate according to local codes.

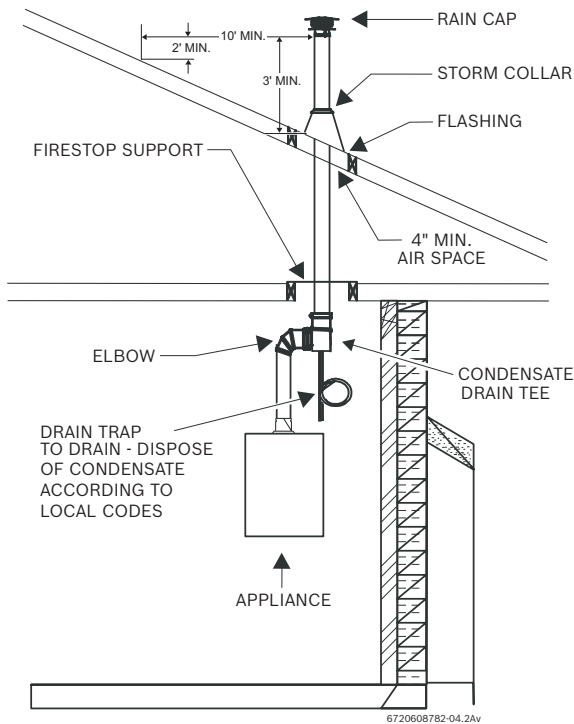


Fig. 21 Condensate drain installation (combustion air piping not shown)

3" Venting	Z-flex	ProTech	Heat Fab
90° Condensate Drain Tee	2SVEVWCF03	FST3 & FSDF3	93PPLSTEE
Horizontal Condensate Drain	2SVEDWCF03	FSHDT3	9321
Condensate Drain Tube	2SVEDTK24	N/A	7000TUBE

Table 9 Approved Condensate Drain Part Numbers

3.3.6 Fan speed adjustment

IMPORTANT! Installation adjustment:

After installing the water heater, the fan speed values for minimum power (P2) and maximum power (P1) may need adjustment due to variations in altitude and vent pipe length.

Failure to make necessary adjustments to fan speed values may result in improper operation of the appliance.

First calculate the total equivalent vent length. Use this value to determine the appropriate fan speed values, found in Table 12 and make any necessary adjustments. After changing fan speed values proceed to Section 6.4 to confirm CO₂ values are within specified ranges.

Total equivalent vent length calculation

- ▶ Determine the total length of all straight sections of vent pipe and enter in table 10, line 1.
- ▶ Count the number of 90° elbows used and enter that value in line 2. (Do not count terminals and first elbow used on intake and exhaust).
- ▶ Count the number of 45° elbows used and enter that value in line 3.
- ▶ Repeat steps 1 through 3 for air intake pipe and enter those values in the intake section of table 10.
- ▶ Add line 4 from Exhaust to line 4 of Intake and enter result in line 5.
This is the total equivalent vent length.

Exhaust			
1	Straight section length (feet)	__ x 1 =	__
2	90° elbows (qty)	__ x 2.5 =	__
3	45° elbows (qty)	__ x 1.25 =	__
4	Total:		__
Intake			
1	Straight section length	__ x 1 =	__
2	90° elbows (qty)	__ x 2.5 =	__
3	45° elbows (qty)	__ x 1.25 =	__
4	Total:		__
5	Total equivalent vent length =		__

Table 10 Determining vent length combination (see example in Table 11)

Example

Exhaust

- 7 - 3' straight sections
- 1 - 1' straight section = Total straight pipe length 22'
- 2 - 90° elbow.

Intake

- 5 - 3' straight sections = Total straight pipe length 15'
- 1 - 90° elbows.

Example

Exhaust		
Straight section length (feet)	22 x 1 =	22
90° elbows (qty)	1 x 2.5 =	2.5
45° elbows (qty)	0 x 1.25 =	0
Total:		24.5
Intake		
Straight section length (feet)	15 x 1 =	15
90° elbows (qty)	1 x 2.5 =	0
45° elbows (qty)	0 x 1.25 =	0
Total:		15
Total equivalent vent length =		39.5

Table 11 Determining vent length combination example

Note: Do not count terminals and first elbow used on intake and exhaust.



Total equivalent length must not to exceed 57ft.



NOTE: If using concentric terminal include exhaust pipe length that is part of the concentric terminal.

Altitude (above sea level)	Total equivalent vent length ¹⁾	Minimum power fan speed (P2)	Natural Gas	Liquid propane	For operation at elevations above 2,000 ft (610 m) the equipment ratings shall be reduced at the rate of 4% for each 1,000 ft (305 m) above sea level
			Maximum power fan speed (P1)	Maximum power fan speed (P1)	
0 - 2000 ft (0 - 610 m)	5.5 - 32 ft	7	No modification required	No modification required	
	33 - 57 ft	8			
2000 - 4500 ft (610 - 1372 m)	5.5 - 32 ft	8*	48*	47*	
	33 - 57 ft	8*	49*	48*	
4500 - 8000 ft (1372 - 2439 m)	5.5 - 32 ft	9*	49*	48*	
	33 - 57 ft	9*	50*	49*	

* Above 2000 ft, CO₂ levels must be checked with a combustion gas analyzer, see section 6.4 for instructions.

Table 12 Fan speed adjustment

1) Full equivalent length (inlet + outlet piping + fittings)

Adjusting minimum power fan speed (P2)

To select fan speed:

- ▶ Press ON/OFF button into OFF.
- ▶ Press and hold "Program" button **P** and press ON/OFF button to turn appliance ON.

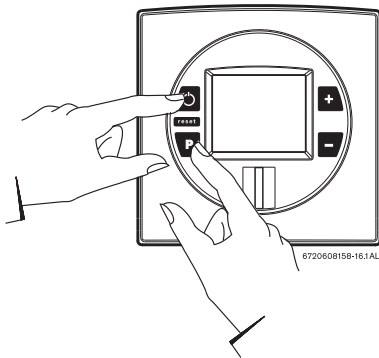


Fig. 22

- ▶ As soon as '188' is displayed, release "Program" button **P**, and the display should read P2.
- ▶ Press **+** or **-** to choose the fan speed suitable with your installation, see Table 12.
- ▶ Press and hold (± 5 sec.) "Program" button **P** until the display flashes, then the selected value is memorized.



Do not set P2 to greater than 9.

Adjusting maximum power fan speed (P1)

To select fan speed:

- ▶ Press ON/OFF button into OFF.
- ▶ Press and hold "Program" button **P** and press ON/OFF button to turn appliance ON.

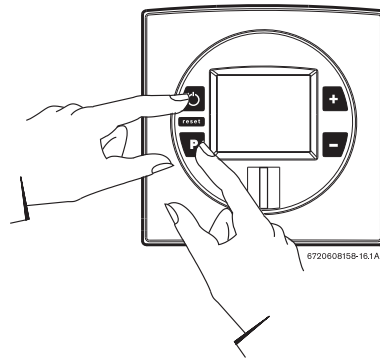


Fig. 23

- ▶ As soon as '188' is displayed, release "Program" button **P**, and the display reads P2.
- ▶ Press the minus button **-** to display P1.
- ▶ Press "Program" button **P** to enter P1 adjustment. The current setting will appear on the display.
- ▶ Press **+** or **-** to choose the fan speed suitable with your installation, see Table 12.
- ▶ Press and hold (± 5 sec.) "Program" button **P** until the display flashes, then the selected value is memorized.



Proceed directly to Section 6.4 to confirm CO₂ values are within range.

Attention residents of the Commonwealth of Massachusetts:

In the Commonwealth of Massachusetts the following regulation went into effect on 12/30/2005:

(a) For all side wall horizontally vented gas fueled equipment installed in every dwelling, building or structure used in whole or in part for residential purposes, including those owned or operated by the Commonwealth and where the side wall exhaust vent termination is less than seven (7) feet above finished grade in the area of the venting, including but not limited to decks and porches, the following requirements shall be satisfied:

1. **INSTALLATION OF CARBON MONOXIDE DETECTORS.** At the time of installation of the side wall horizontal vented gas fueled equipment, the installing plumber or gasfitter shall observe that a hard wired carbon monoxide detector with an alarm and battery back-up is installed on the floor level where the gas equipment is to be installed. In addition, the installing plumber or gasfitter shall observe that a battery operated or hard wired carbon monoxide detector with an alarm is installed on each additional level of the dwelling, building or structure served by the side wall horizontal vented gas fueled equipment. It shall be the responsibility of the property owner to secure the services of qualified licensed professionals for the installation of hard wired carbon monoxide detectors.

a. In the event that the side wall horizontally vented gas fueled equipment is installed in a crawl space or an attic, the hard wired carbon monoxide detector with alarm and battery back-up may be installed on the next adjacent floor level.

b. In the event that the requirements of this subdivision can not be met at the time of completion of installation, the owner shall have a period of thirty (30) days to comply with the above requirements; provided, however, that during said thirty (30) day period, a battery operated carbon monoxide detector with an alarm shall be installed.

2. **APPROVED CARBON MONOXIDE DETECTORS.** Each carbon monoxide detector as required in accordance with the above provisions shall comply with NFPA 720 and be ANSI/UL 2034 listed and IAS certified.

3. **SIGNAGE.** A metal or plastic identification plate shall be permanently mounted to the exterior of the building at a minimum height of eight (8) feet above grade directly in line with the exhaust vent terminal for the horizontally vented gas fueled heating appliance or equipment. The sign shall read, in print size no less than one half (1/2) inch in size, "GAS VENT DIRECTLY BELOW. KEEP CLEAR OF ALL OBSTRUCTIONS".

4. **INSPECTION.** The state or local gas inspector of the side wall horizontally vented gas fueled equipment shall not approve the installation unless, upon inspection, the inspector observes carbon monoxide detectors and

signage installed in accordance with the provisions of 248 CMR 5.08(2)(a)1 through 4.

(b) **EXEMPTIONS:** The following equipment is exempt from 248 CMR 5.08(2)(a)1 through 4:

1. The equipment listed in Chapter 10 entitled "Equipment Not Required To Be Vented" in the most current edition of NFPA 54 as adopted by the Board; and

2. Product approved side wall horizontally vented gas fueled equipment installed in a room or structure separate from the dwelling, building or structure used in whole or in part for residential purposes.

(c) **MANUFACTURERS REQUIREMENTS - GAS EQUIPMENT VENTING SYSTEM REQUIRED.** When the manufacturer of Product Approved side wall horizontally mounted gas equipment provides a venting system design or venting system components with the equipment, the instructions provided by the manufacturer for the installation of the equipment and the venting shall include:

1. Detailed instructions for the installation of the venting system or the venting system components; and

2. A complete parts list for the venting system design or venting system.

(d) **MANUFACTURER REQUIREMENTS - GAS EQUIPMENT VENTING SYSTEM NOT PROVIDED.** When the manufacturer of a product approved side wall horizontally vented gas fueled equipment does not provide the parts for the venting of flue gases, but identifies "special venting systems," the following requirements shall be satisfied by the manufacturer:

1. The referenced "special venting system" instructions shall be included with the appliance or equipment installation instructions; and

2. The "special venting systems" shall be product approved by the Board, and the instructions for that system shall include a parts list and detailed installation instructions.

(e) A copy of all installation instructions for all products approved side wall horizontally vented gas fueled equipment, all venting instructions, all parts lists for venting instructions, and/or all venting design instructions shall remain with the appliance or equipment at the completion of the installation.

3.4 Combustion air requirements



Warning: In areas where outside temperatures routinely come close to freezing, sealed combustion operation is required. Use twin pipe or concentric terminations for combustion air and exhaust, which must be installed on the same wall or roof surface, however never facing the direction of prevailing winds. Failure to do so may result in heat exchanger freezing up and bursting. This failure is not covered under the manufacturer's warranty.



Warning: When installed in an environment where corrosive chemicals or dirty air (e.g. hair salons, car washes) are present the twin pipe system is required.

Twin pipe and Concentric pipe

The water heater is designed as a sealed combustion appliance. It is recommended that the combustion air be provided from the outside by a dedicated pipe (twin pipe) or by connecting to the concentric vent kit (see Fig. 8, 9 & 10). The combustion air pipe may be PVC or any other rigid sealed 3" or 4" pipe. Horizontal sections of the combustion air pipe must pitch down towards termination 1/4" per foot to prevent rain water from entering the appliance. When using the twin pipe method, combustion air inlet, whether terminating vertically or horizontally, **must be located in such a manner as to provide a minimum 3 foot clearance from the exhaust vent terminator.** See Fig. 11 and Fig. 12 Letter I, page 12.

For the maximum length of the combustion air inlet pipe, see table 6.



Warning: Vent terminations must prevent rain from entering the combustion air and exhaust vent piping.

Single pipe

Note: This appliance requires 9950 cubic feet of available combustion air, or a minimum of 1243 square feet of space with an 8 foot ceiling to operate. If the large amount of air space, which equates to about half of most average sized homes, is not available, the appliance must pull air from outside (see twin pipe system above).

Although it is permissible to draw combustion air from inside the structure, it is not the manufacturer's recommended installation method. Always install a 3 inch elbow on the top of the combustion air inlet adaptor to prevent foreign objects from falling into the unit.

If a single pipe installation is utilized, follow guidelines

below for providing adequate combustion air for the water heater as well as any other appliances that may consume air in the space. Always follow local codes if they are more stringent.

When all requirements are followed, the unit will operate properly and safely. However, there may still be a risk of freezing due to negative draft if the other combustion appliances in the building are not supplied with sufficient combustion air. A wood stove or furnace can pull its combustion air from the heater's vent pipe, allowing the cold incoming air to freeze the cold water in the heat exchanger. Supplying more combustion air for all combustion appliances is the solution. A HVAC specialist should be consulted to design solutions for providing more combustion air. Observe the following guidelines:

Installations in structures that have been tightly constructed (air infiltration rate of 0.40 ACH or less) must be provided with combustion air per the National Fuel Gas Code. Consult a HVAC specialist if your air infiltration rate is questionable.

The space must have two permanent openings, one commencing within 12 inches of the top and one commencing within 12 inches of the bottom of the enclosure.

Each opening must have a minimum free area of one square inch per:

- 1000 Btu/hr if all air is taken from inside the building
- 2000 Btu/hr if all air is taken from the outside by horizontal ducts
- 4000 Btu/hr if all air is taken from the outside by direct openings or vertical ducts.

Or the space must be provided with one permanent opening or duct that is within 12 inches of the ceiling of the enclosure.

This opening must have a minimum free area of one square inch per:

- 3000 Btu/hr if all air is taken from the outside by a direct opening or vertical duct.

Louvers, grills and screens have a blocking effect. If the effective free area is not known, increase the sizes of your openings by 300% if your louvers are wood and by 43% if your louvers are metal. Refer to the National Fuel Gas Code for complete information.

3.5 Proper location for installing your heater

Carefully select the location of the water heater. For your safety and for proper heater operation, you must provide combustion air to the heater and a proper exhaust vent system.

Follow the guidelines below:

- ▶ **1.** Locate the heater where venting, gas and plumbing connections are feasible and convenient.
- ▶ **2.** The hot water lines should be kept short and insulated to save energy. Centrally locating the water heater is recommended to keep hot water distribution times even throughout the structure.



Warning: The water in this water heater is cold and always remains cold except for the times the burner is on. In the event of power outage in conjunction with freezing temperatures, it is recommended that the heater be drained.
See chapter 6.2, page 32 "Winterizing" for draining instructions.



Warning: Flammable materials, gasoline, pressurized containers, or any other items or articles that are potential fire hazards must NOT be placed on or adjacent to the heater. The appliance area must be kept free of all combustible materials, gasoline and other flammable vapors and liquids.

3.6 Heater placement and clearances

The water heater is approved for installation on a combustible wall (see chapter 3.7 Mounting installation) provided the floor covering below the heater is noncombustible. For installations in an alcove or closet, maintain the minimum clearances to combustible and non-combustible materials. See Fig. 7 and Table 1 on page 8.

Clearances from any exhaust vent pipe are dependent upon the clearance requirements of the stainless steel vent pipe manufacturer. Single wall stainless steel (AL29-4C) vent pipe (vent type rated for Category III appliances) must be used when exhaust venting this appliance. See chapter 3.3 (page 9) Venting.

3.7 Mounting installation



Warning: before starting installation

- ▶ **Check that there are no loose or damaged parts inside the appliance**
- ▶ **Confirm the gas type of the heater matches the gas supply you will be connecting the heater, see Fig. 2, page 6.**



Front cover should be removed (see instructions on page 6) in order to inspect components visually.



Warning: Do not install this appliance on a carpeted wall. The heater must be mounted on a wall using appropriate anchoring materials.



Warning: In areas where outside temperature is routinely below 32°F and the heater is to be installed on the inside of an exterior wall, a minimum 2" air gap or rigid insulation between the heater back and the wall is recommended.

If wall is sheathed with plaster or drywall, it is recommended that two support boards, either 1"x4" or 1/2" (minimum) plywood first be attached across a pair of studs, see Fig. 24.

- ▶ Secure the wall mounting bracket provided with the heater to the wall surface. The heater must be kept level on the wall surface (see Fig. 25).
- ▶ Hang the appliance on the bracket, see Fig. 26.

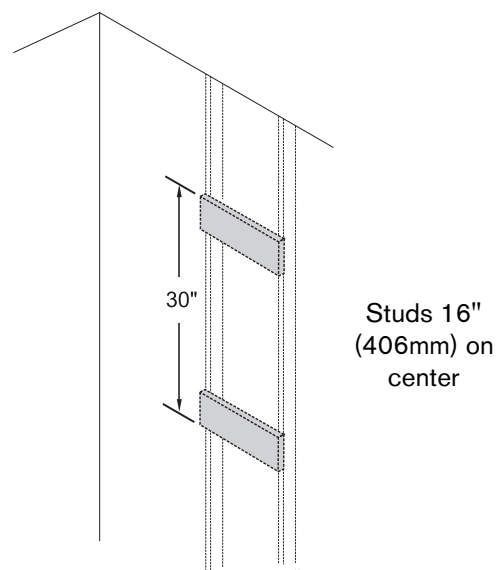


Fig. 24 Distance between support boards

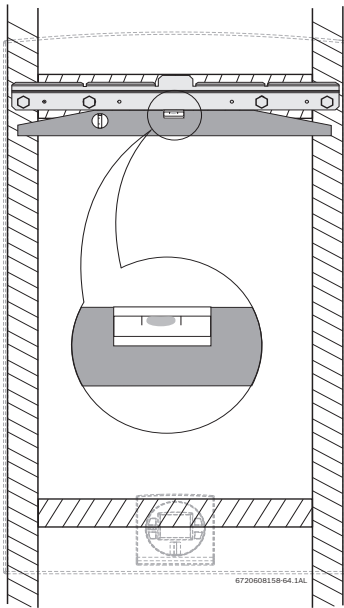


Fig. 25 Leveling the mounting bracket on the studs

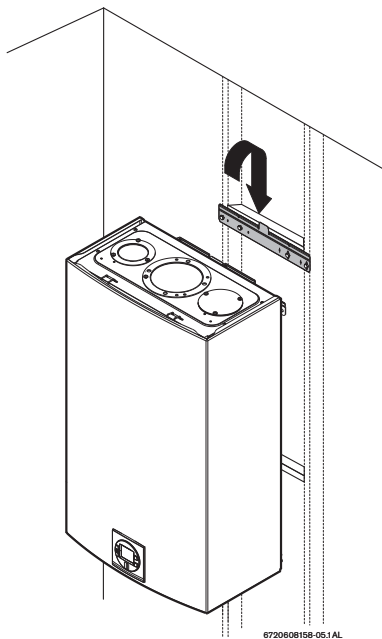


Fig. 26 Mounting the heater



Warning: Appliance must be installed vertically.

3.8 Gas piping & connections



Before connecting the gas supply, check the rating plate on the right side of the heater to be sure that the heater is rated for the same gas to which it will be connected.

In the United States: The installation must conform with local codes or, in the absence of local codes, the National Fuel Gas Code ANSI Z223.1/NFPA 54.

In Canada: The Installation must conform to CSA B149 INSTALLATION CODES and/or local installation codes.



Warning: DO NOT connect to an unregulated or high pressure propane line or to a high pressure commercial natural gas line.



Warning: The heater must be isolated from the gas supply piping system during any pressure testing of that system at test pressures equal to or more than 0.5 psig. If overpressure has occurred, such as through improper testing of the gas lines or malfunction of the supply system, the gas valve must be checked for safe operation.

GAS CONNECTIONS

- ▶ Install a manual gas shut off valve on the gas supply line within easy reach of the appliance.
- ▶ Install a union when connecting gas supply.
- ▶ **The minimum internal diameter required for any appliance connector is 3/4".**
- ▶ Undersized flexible appliance connectors not permitted.
- ▶ National Fuel Gas Code requires that a sediment trap (drip leg) be installed on gas appliances not so equipped. The drip leg must be accessible and not subject to freezing conditions. Install in accordance with the recommendations of the serving gas supplier, see Fig. 27.

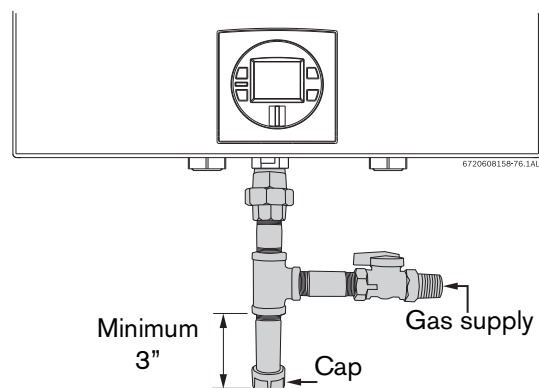


Fig. 27 Gas connection (drip leg)

Once connections are made, check for gas leaks at all joints. Apply some gas leak detection solution to all gas fittings. Bubbles are a sign of a leak. A combustible gas detector may also be used to detect for leaks.



Danger: If you have a leak, shut off the gas. Tighten appropriate fittings to stop leak. Turn the gas on and check again with a gas leak detection solution. Never test for gas leaks using a match or flame.

GAS LINE SIZING

The gas supply piping for a single heater should be sized for a maximum draw of 199,000 BTUH. Measure the length of gas supply line and use the tables in Fig. 29, page 24 or the gas line manufacturer's sizing tables to determine the pipe diameter necessary to accommodate the 199,000 BTU demand of the heater. If there are more gas appliances on the line, size the gas line according to the total maximum amount of BTU input rating for all appliances.

Note: Undersizing the gas line may result in diminished hot water flow rate and temperature. See chapter 3.12, page 27 for the procedure to confirm gas pressure. Proper gas pressure must be confirmed at time of installation.

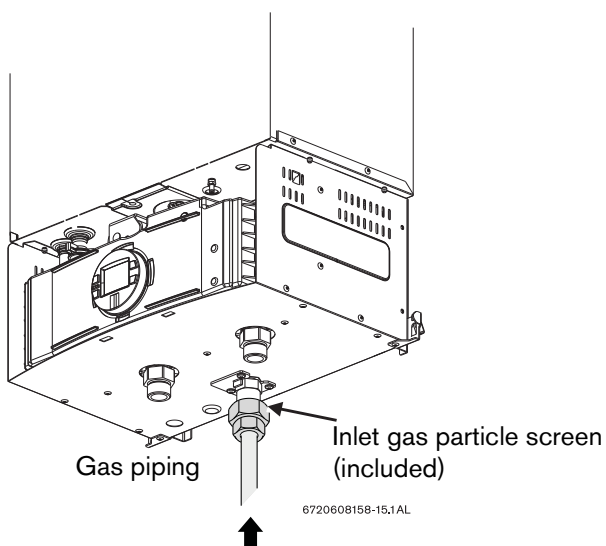


Fig. 28

FOR NATURAL GAS

Maximum Capacity of pipe in Cubic Feet of Gas per Hour for Gas Pressure of 0.5 Psig or less and a Pressure drop of 0.3" in Water Column (0.75mbar).(Based on a 0.60 Specific Gravity Gas) Btu numbers given in thousands.

Follow boxed numbers for piping just one GWH 2700 ES (example: 3/4" B.I. Natural Gas pipe for 10 ft (3.0m). will handle 278,000 btu's (81.5 kWh). For multiple appliances combine the total maximum btu input load and then refer to applicable chart below.

Nominal Iron Pipe Size, inches	Internal Diameter inches	Length of Black iron Pipe , Feet													
		10	20	30	40	50	60	70	80	90	100	125	150	175	200
1/4	0.364	32	22	18	15	14	12	11	11	10	9	8	8	7	6
3/8	0.493	72	49	40	34	30	27	25	23	22	21	18	17	15	14
1/2	0.622	132	92	73	63	56	50	46	43	40	38	34	31	28	26
3/4	0.824	278	190	152	130	115	105	96	90	84	79	72	64	59	55
1	1.049	520	350	285	245	215	195	180	170	160	150	130	120	110	100
1 1/4	1.380	1050	730	590	500	440	400	370	350	320	305	275	250	225	210
1 1/2	1.610	1600	1100	890	760	670	610	560	530	490	460	410	380	350	320
2	2.067	3050	2100	1650	1450	1270	1150	1050	990	930	870	780	710	650	610

Length of Flexible Corrugated Stainless Steel Tubing (CSST), Feet Tube size, inches	EHD*						
		10	20	30	40	50	60
1/2	18 EHD	82	58	47	41	37	34
3/4	23 EHD	161	116	96	83	75	68
1	30 EHD	330	231	188	162	144	131
1 1/4	37 EHD	639	456	374	325	292	267

* EHD = Equivalent Hydraulic Diameter. The greater the value of EHD, the greater the gas capacity of the tubing.

FOR LP GAS

Maximum Capacity of Pipe in Thousands of BTU per Hour of Undiluted Petroleum Gases (at 11 inches Water Column Inlet Pressure) (Based on a Pressure Drop of 0.5 Inch Water Column).

* EHD = Equivalent Hydraulic Diameter. The greater the value of EHD, the greater the gas capacity of the tubing.

Nominal iron pipe Inches	Black Iron Pipe Length of Pipe, Feet													
	10	20	30	40	50	60	80	100	125	150	200			
1/2	291	200	160	137	122	110	94	84	74	67	58			
3/4	608	418	336	287	255	231	197	175	155	140	120			
1	1145	787	632	541	480	434	372	330	292	265	227			

Length of Flexible Corrugated Stainless Steel Tubing (CSST), Feet Tube size inches	EHD*						
		10	20	30	40	50	60
1/2	18 EHD	129	91	74	64	58	53
3/4	23 EHD	254	183	151	131	118	107
1	30 EHD	521	365	297	256	227	207

Maximum Capacity of Semi-Rigid (flexible, non corrugated) Tubing in Thousands of BTU per Hour of Undiluted Liquefied Petroleum Gases (at 11 inches Water Column Inlet Pressure).

(Based on a Pressure Drop of 0.5 Inch Water Column)

* Source National Fuel Gas Code NFPA 54, ANSI Z223.1 - No Additional Allowance is necessary for an ordinary number of fittings

Outside diameter Inch	Copper Length of Tubing, Feet									
	10	20	30	40	50	60	70	80	90	100
3/8	39	26	21	19	-	-	-	-	-	-
1/2	92	62	50	41	37	35	31	29	27	26
5/8	199	131	107	90	79	72	67	62	59	55
3/4	329	216	181	145	131	121	112	104	95	90

Fig. 29

3.9 Water connections

Warning: This heater is not approved for preheated water applications. See chapter 3.11 for approved recirculating application.

Warning: In applications where inlet water temperature can exceed 140°F (60°C), a 3-way valve or mixing valve must be installed before the appliance to prevent water exceeding 140°F (60°C) from entering the appliance.

- ▶ When facing the heater, the 3/4" cold connection is on the bottom right and the hot connection is on the bottom left. Centrally locating the water heater is recommended to keep hot water distribution times even throughout the structure.

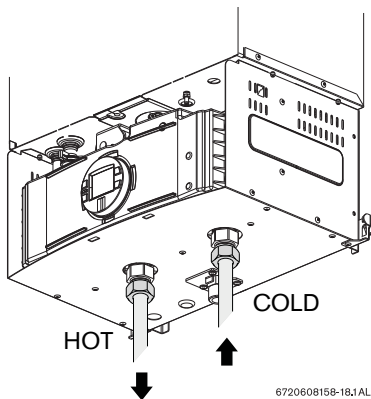


Fig. 30

- ▶ **The use of unions when connecting both water pipes to the inlet and outlet connections is required. This will facilitate any necessary servicing.**
- ▶ Plastic or PEX type plumbing line materials are not suitable for connecting directly to the water heater.
- ▶ Although water piping throughout the building may be other than copper, we recommend that copper or suitably rated stainless steel flex line piping be used for the water connections for 1.5' on either side of the water heater (follow local codes if more stringent).
- ▶ **Never sweat any piping directly to or beneath the water connections, as damage can occur to the internal water valve from heating of the pipe.**
- ▶ **Keep water inlet and outlet pipes to no less than 3/4" (19.05mm) diameter to allow the full flow capacity.**
- ▶ If the cold and hot connections to the heater are reversed, the heater will not function. Be certain there are no loose particles or dirt in the piping. Blow out

or flush the lines before connecting to the water heater.

- ▶ Full port shutoff valves should be installed on both the cold water supply and hot water outlet lines to facilitate servicing the heater (see Fig. 31).
- ▶ For installation on a private well system with the use of a pressure tank, the lowest pressure range setting recommended is 40-60 psi (2.75 and 4.15 bar).

3.10 Water quality

Water quality can have an impact on appliance longevity and may not be covered under the manufacturer's warranty.

For water analysis data call your local water department, or if on a well, have well water analyzed periodically. If water quality exceeds one or more of the values specified below, Bosch recommends consulting a local water treatment professional for water softening/conditioning options.

Description	Max. Levels	
pH	pH	6.5 - 8.5
TDS (total Dissolved Solids)	mg/l or ppm	500
Total hardness	mg/l or ppm	100 (6 grains)
Aluminum	mg/l or ppm	2.0
Chlorides	mg/l or ppm	250
Copper	mg/l or ppm	1.0
Iron	mg/l or ppm	0.3
Manganese	mg/l or ppm	0.05
Zinc	mg/l or ppm	5.0

Table 13

Connecting the pressure relief valve (PRV)

A listed pressure relief valve supplied with the heater must be installed at the time of installation. **No valve is to be placed between the PRV and the heater.** No reducing coupling or other restriction may be installed in the discharge line. The discharge line must be a minimum of 4" above a drain and installed such that it allows complete drainage of both the PRV and the line. The discharge line must be placed where it will not cause any damage.

The location of the PRV must be readily accessible for servicing or replacement, and be mounted as close to the water heater as possible. See Fig. 31. To install the PRV, a suitable fitting connected to an extension on a "T" fitting can be sweated to the hot water line. Support all piping.

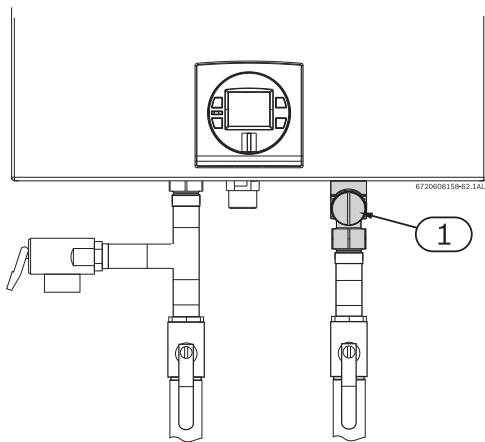


Fig. 31 Plumbing Connections (with shutoff valves) and Pressure Relief Valve

- 1 Water filter

3.11 Domestic hot water recirculation

Although recirculation directly through the tankless water heater is allowed, temperature stability is improved by recirculating through a mini-tank as shown in Fig. 32. By using the design in Fig. 32, there is no recirculation of hot water through the tankless water heater and therefore, does not affect the heat exchanger warranty. Direct recirculation through the tankless water heater is permissible, however, the heat exchanger warranty is reduced; contact Bosch Thermotechnology for further installation requirements. The following drawing is provided to outline one possible recirculation design using the water heater in conjunction with an Ariston mini tank water heater. This schematic is for illustration only and must not be used for actual installation without appropriate engineering and technical advice from a properly licensed professional in the locality where the installation is made.

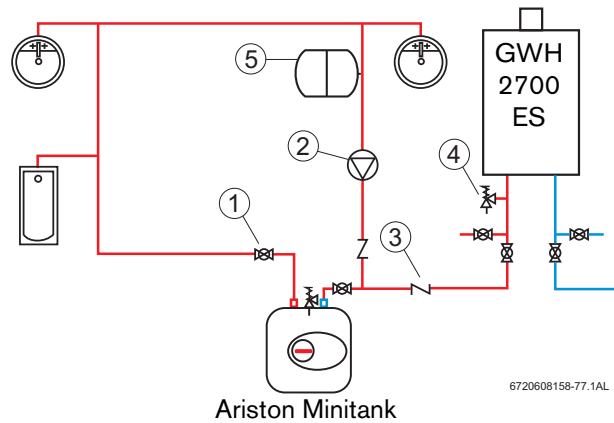


Fig. 32 Recirculation application

- 1 Full port isolation valve
- 2 Circulator (pump)
- 3 Check valve
- 4 PRV
- 5 Expansion tank

The use of a small electric mini-tank water heater (4-6 gallon size) should be used for this application and designed so the pump will circulate the water through the mini-tank and the building's hot water return loop only. Timed or thermostatically controlled operation of the pump is commonly done. Contact Bosch Thermotechnology if further information is needed.

3.12 Measuring gas pressure

Confirm gas pressure upon installation.

Connecting manometer

- ▶ Shut off gas supply at installer supplied shutoff valve for this water heater.
- ▶ Remove front cover and locate inlet gas pressure measuring point (see Fig. 34).
- ▶ Loosen screw inside left test point fitting (do not remove) and connect manometer tube to test point. Remove screw completely if correct size tapping is available.

Static Pressure Test

- ▶ Turn gas supply back on.
- ▶ Record static gas pressure reading in table 15.

Operating Pressure Test

- ▶ Press ON/OFF button to turn off the appliance.
- ▶ Press and hold "Program" (P) button and press ON/OFF button to turn appliance ON.

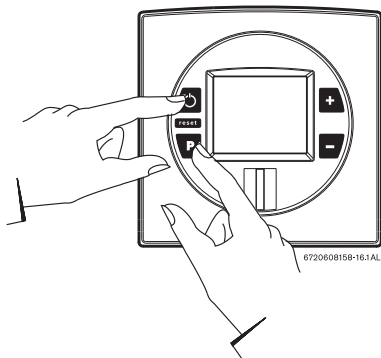


Fig. 33

- ▶ As soon as '188' is displayed, release "Program" **P** button and the display should read P2.
- ▶ Press **+** or **-** until P1 appears.

Note: While in this mode the appliance will run constantly at maximum power and allow maximum water flow.

For inlet gas pressure adjustment consider the following table:

Gas type	NG	LPG
	3.5" WC	8" WC

Table 14 Minimum inlet gas pressure under full operation

- ▶ Turn on high volume of hot water flow (at least 6 gpm) and heater will ignite. If heater display reverts to P2, open more hot water fixtures to allow sufficient flow. Press **+** until P1 reappears on display.
- ▶ Operate all other gas appliances on the same gas piping system at maximum output.

- ▶ Record lowest operating gas pressure reading in table 15.

Gas pressures lower than 3.5" W.C. for Natural Gas or 8" W.C. for LPG will result in insufficient degree rise to the hot water being used, reduced hot water volume, possible error code faults and must be corrected. See Gas Connections, chapter 3.8, page 22.

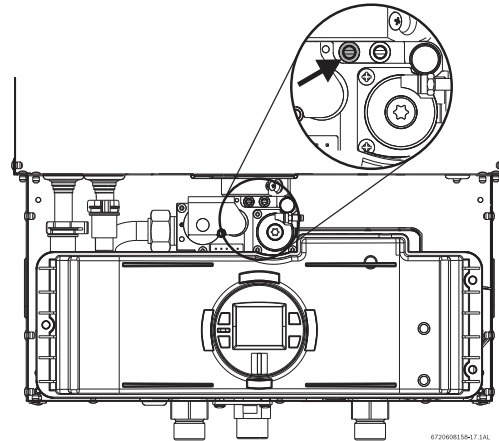


Fig. 34 Gas pressure test port (left tapping)

Static Gas Pressure Reading (see Chapter 3.12)	
enter here: _____	Date: _____
Operating Gas Pressure Reading (see Chapter 3.12)	
enter here: _____	Date: _____

Table 15

4 Electrical connections

4.1 Electrical power supply



Warning: For safety reasons, disconnect the power supply cord to the heater before any service or testing is performed.



Warning: This heater must be electrically grounded in accordance with the most recent edition of the National Electrical Code. NFPA 70. In Canada, all electrical wiring to the heater should be in accordance with local codes and the Canadian Electrical Code, CSA C22.1 Part 1. Do not rely on the gas or water piping to ground the metal parts of the heater.

The water heater requires an electrical power supply from a 120VAC / 60Hz properly rated receptacle and must be properly grounded.

The heater is wired as shown in the wiring diagram (chapter 9, Fig. 59).

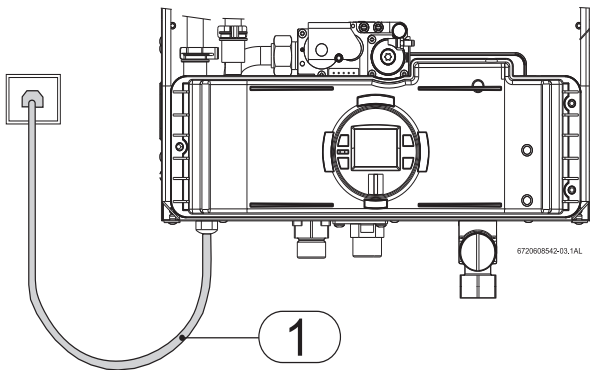


Fig. 35 Connecting power supply cord

1 Power cord length: 3ft.

Note: Outlet appliance is plugged in to should be clear from possible water damage.

4.2 Position of the fuses in control unit

To check fuses, proceed as follows:

- ▶ Remove the front cover, see Fig. 4, page 6.
- ▶ Remove the three screws on front of the control unit.

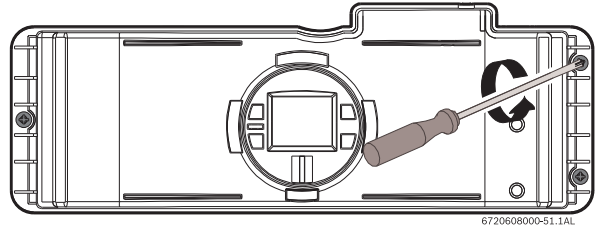


Fig. 36

- ▶ Pull control unit free to access and remove the six screws from the back cover of the control unit, see Fig. 37, pos. 2.
- ▶ Check the fuses in the printed circuit board, see Fig. 37, pos. 3.

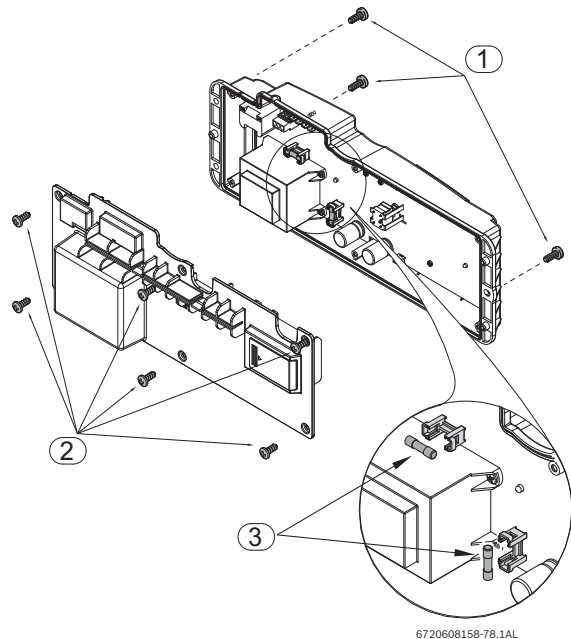


Fig. 37 Location of fuses

- ▶ After verifying the fuses mount all parts in reverse order.

5 Operation instructions

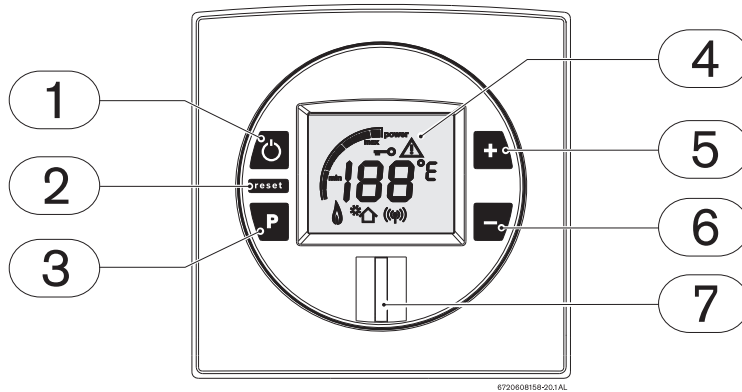


Fig. 38

- 1 On/Off button
- 2 Reset button
- 3 Program Key
- 4 LCD display
- 5 Up button
- 6 Down button
- 7 LED - Power On indicator or Stand-by

5.1 LCD Display functions



Warning: Do not use any cleaning or corrosive agent to clean the window.

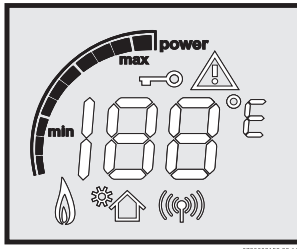


Fig. 39 Power bar indicator

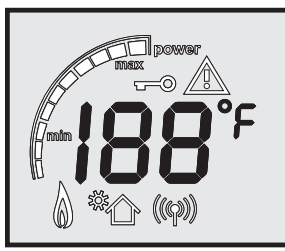


Fig. 40 Temperature indicator

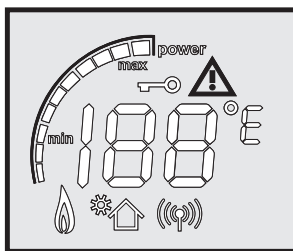


Fig. 41 Error indicator

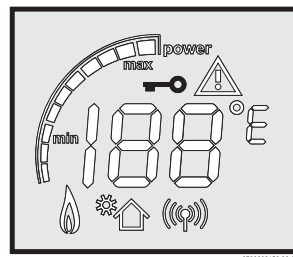


Fig. 42 Lock indicator

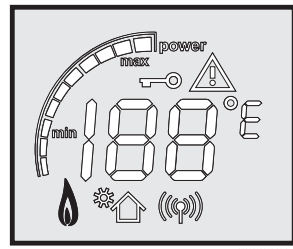


Fig. 43 Flame indicator

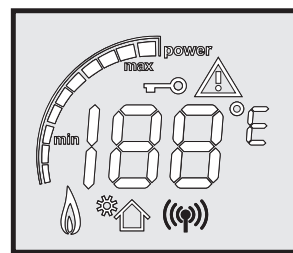


Fig. 44 Remote control

5.2 For your safety read before operating your water heater



Warning: If you do not follow these instructions exactly, a fire or explosion may result causing property damage, personal injury or loss of life.

A. This appliance is equipped with electronic ignition for lighting the main burner. When turning the heater on, follow these instructions exactly.

B. Before operating the unit, press the On/Off button.

WHAT TO DO IF YOU SMELL GAS

- ▶ Do not try to light any appliance.
- ▶ Do not touch any electric switch; do not use any phone in your building.
- ▶ Immediately call your gas supplier from a neighbors phone. Follow the gas supplier's instructions.
- ▶ If you cannot reach your gas supplier, call the fire department.

C. Use only your hand to press the on/off control switch. Never use tools. Follow these instructions exactly. If control switch is jammed, close the gas supply and call a qualified service technician. Attempted forceful repair may result in a fire or explosion.

D. Do not use this appliance if any part has been under water. Immediately call a qualified service technician to inspect the appliance and to replace any part of the control system and any gas control which has been under water.

5.3 Power

On

- ▶ To start the appliance press the On/Off button.

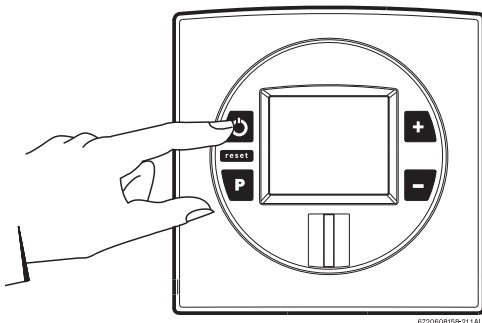


Fig. 45

Off

- ▶ To shut down the appliance press the On/Off button again.

5.4 Temperature selection

To select output water temperature:

- ▶ Press buttons **+** or **-** in order to reach desired temperature.

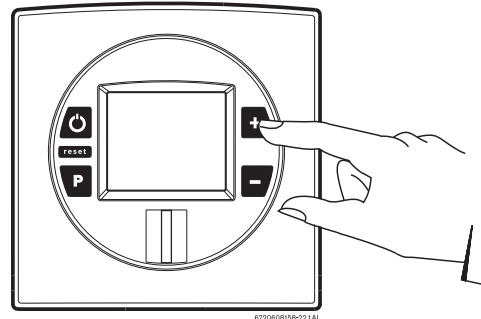


Fig. 46

Setting the water temperature

The desired temperature of the hot water can be adjusted on the front control panel of the heater.

The water heater has an electronically controlled gas valve that modulates the burner input in response to both varying hot water flow rates and/or changes in any incoming and outgoing water temperatures.

Note: The water heater, running at minimum BTU, may still achieve temperatures above the desired set temperature. Low flowing fixtures are the leading cause of this type of temperature overshoot. To combat this symptom, clean fixtures or replace with higher flowing ones.

Saving water resources:

- ▶ Make sure you close all the taps after any use. Avoid leaving the taps dripping. Repair any leaking tap.
- ▶ Define the temperature you want, in the appliance or with the remote control. This way you have the precise water flow needed (mixing cold water to regulate temperature will increase the water flow with consequent waste of water).

5.5 Use of optional remote control accessory (part no. TSTAT2)

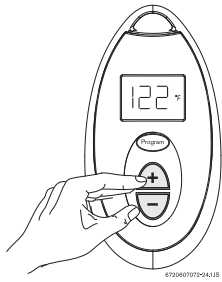



Fig. 47 Remote control

The wireless remote control accessory (Fig. 71, component 13) and the temperature selector buttons on the front of the water heater operate identically. Contact your distributor to order the remote control accessory. Modification of the water heaters interior control unit (Fig. 71, component 16) is required when programming the remote control with this heater.



NOTE: up to 6 remote controls can be programmed for one single water heater, each with a range distance of 98 ft (30 m).

5.6 Operation

- ▶ When a hot water tap is opened, main burner ignites and LCD displays the symbol .

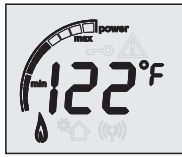



Fig. 48

- ▶ LCD blinks until selected temperature is reached.

5.7 Reset button

If the LCD shows the error symbol  do not shut off power or unplug the heater. See the error code on LCD and consult "Troubleshooting" section.

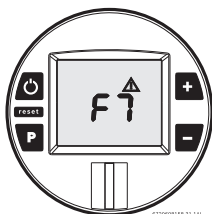


Fig. 49

After following instructions indicated in "Troubleshooting" section.

- ▶ press reset button to return heater to normal operation.

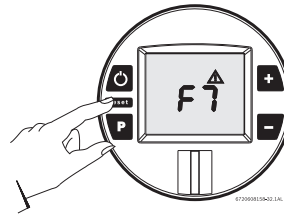


Fig. 50 Reset button

If the problem persists, contact your installer.

5.8 Program button

Program button can be used on the appliance and in the remote control.

Programming "Program" function

Programming actions are similar for both controls (appliance control pad and wireless remote control).

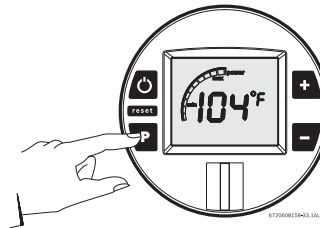




Fig. 51 "Program" key

Memorizing selected temperature

- ▶ Press buttons  or  to select temperature to be memorized.
- ▶ Hold "Program" button for 3 seconds to save temperature.

When LCD stops blinking, temperature is saved in memory.

Using "Program" function

In order to select memorized temperature

- ▶ Press "Program" key.

LCD shows pre-memorized temperature, which is now the hot water selected temperature.

5.9 Locked condition

This condition is only valid for appliances with remote controls.

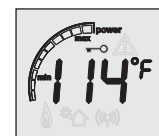



Fig. 52 Locked condition

Whenever LCD shows  the temperature setting cannot be adjusted because the appliance is in use by a user which already selected a different temperature. Appliance will be automatically unlocked five minutes after closing the hot water tap.

6 Maintenance and service



Warning: Always turn off the electrical power supply, turn off the manual gas shut off valve and turn off the water shut off valves whenever servicing.



Caution:

- ▶ Check and clean the complete water heating system once a year.
- ▶ Carry out a maintenance overhaul if necessary. Immediately repair defects to avoid damage to the system.

Annual maintenance table		
		Every year
1.	Inspect venting system	X
2.	Inspect combustion chamber	X
3.	Inspect burner	X
4.	Inspect condensate trap	X
5.	Inspect water filter	X

Table 16 Annual maintenance

The unit should be checked once a year by a gas technician. If repairs are needed, the repairs should be done by a gas technician.

6.1 Annual maintenance

(To remove front cover, see page 6.)

Venting System

- Venting system - inspect inside of flue pipe for any blockage or restriction. Observe burner flames during heater operation. (Vent pipe must be removed). Inspect the combustion air inlet pipe for blockage or debris. Inspect combustion air and exhaust terminations for blockage or debris.

Combustion chamber

- Inspect burner observation window (Fig. 64, #10) for cracks or spillage of flue gases. Observe burner flames during heater operation. Flames should be steady and blue with no signs of yellowing. Yellow burner flames are an indication of improper combustion. Refer to Section 3.4 & 3.3 of this manual to ensure that exhaust system and combustion air supply meets manufacturer's specifications.

Pressure relief valve

- Manually open the pressure relief valve to ensure proper operation.

Inlet water filter

- Verify the inlet filter screen is clean and undamaged. The inlet water filter is located inside the cold water inlet fitting on the right side of the appliance (See Fig. 53, page 32). Close installer supplied cold water shutoff and loosen slotted screw on inlet fitting. Water will drain from the appliance. Remove cylindrical filter inside.

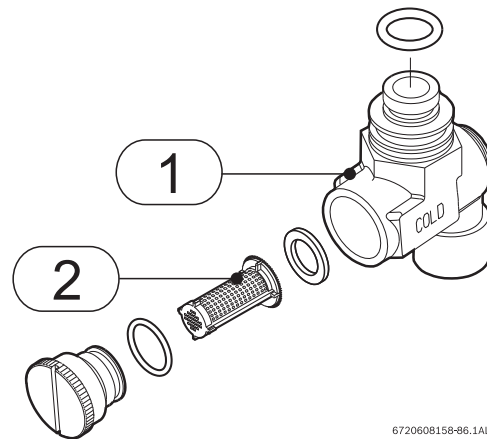


Fig. 53 Water filter

- 1 Inlet water filter
- 2 Water filter

Descaling

- In areas where the water supply has a high mineral content (see Table 13, page 25), the heat exchanger should be periodically flushed with a descaling solution. Scale build up will shorten the life of the water heater and damage resulting from scale is not covered under warranty. Refer to section 6.3 for detailed instructions on descaling the heat exchanger.

Heat exchanger fin coils

- Inspect heat exchanger fincoil for soot build-up or blockage. To access fincoil, venting must be removed from flue gas exhaust accessory. With venting removed and inspect fincoil below with a flashlight. If there is evidence of soot build-up or blockage, the heat exchanger should be removed by a professional and cleaned thoroughly. To remove the heat exchanger, consult service bulletin at www.boschhotwater.com.

6.2 Winterizing for seasonal use

Installation instructions state that the water heater must not be installed in a location where it may be exposed to freezing temperatures. If the heater must be left in a

space which is likely to experience freezing temperatures, all water must be drained from the heater. If precautions are not taken, resulting damage will not be covered under the warranty. **NOTE:** Use of agents such as anti-freeze is not permitted as they may cause damage to the water heater's internal components.

1. Press ON/OFF switch on the water heater to turn OFF the heater and unplug power supply cord. The display should be blank.
2. Shut off gas supply to heater.
3. Shut off the water supply to the water heater using installer supplied shutoff valve.
4. Open hot water taps to drain the plumbing system. If water continues to flow after 5 minutes, a plumbing crossover is present and must be corrected before proceeding.
5. Open service valves (if available) or disconnect inlet and outlet water pipes from the water heater. Place a small bucket underneath the water heater to catch residual water remaining inside the water heater.
6. Using an air compressor, blow short bursts of air (100psi max) through the outlet water connection until there is no water present coming through the inlet water connection of the heater.
7. Reconnect water fittings and return heater to service when danger of freezing has past.

6.3 Mineral scale build-up

Periodic descaling may be necessary in areas with high mineral content in the water. Scale buildup in the heat exchanger may result in lower flow rates, error codes of A7 and E9 and boiling sounds (knocking and banging) in the heat exchanger.

Descaling using a pump

1. Disconnect electrical supply from the water heater.
2. Shut off the water supply to the water heater using (installer supplied) shutoff valve.
3. Open hot water taps to drain and relieve pressure from the plumbing system.
4. Drain water from the unit's heat exchanger by disconnecting inlet and outlet water connections from the heater.
5. Connect a line (A) from the outlet of the circulating pump (installer supplied) to the inlet water fitting on the water heater (see Fig. 54).
6. Using another line (B), connect to the water outlet fitting on the water heater. Route the other end of this line into a descaling reservoir.
7. Using a 3rd line (C) from the descaling reservoir, connect to the inlet side of circulating pump. Install a filter on the end of this line in the descaling reservoir.
8. Make sure all connections are "water tight."

9. Fill tank with descaling solution so both lines inside are submersed. We recommend straight white vinegar. If using a commercial descalant, refer to manufacturer's instructions on dilution with water.
10. Operate the circulating pump.
11. Make sure there are no leaks and the solution is flowing from the descaling reservoir through the heater and returning to the reservoir.
12. Run solution through the heater until the solution returning to the descaling reservoir comes out clear. (Changing to a fresh solution may be necessary during this process).
13. Disconnect all lines and drain all solution from heat exchanger. Properly discard of solution.
14. Position a container below the hot water outlet and connect cold water supply. Open cold water supply isolation valve and flush heat exchanger with clean water.
15. Shut cold water shutoff valve and reconnect hot water supply to the water heater.
16. Reconnect electrical supply to unit, open water shutoff valves, and return the unit to service.

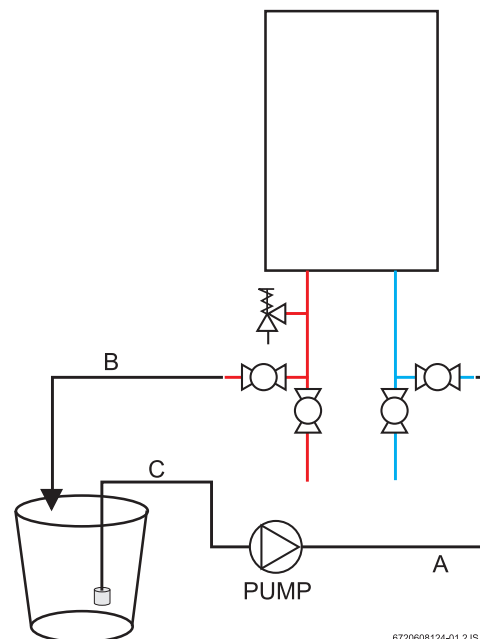


Fig. 54

6.4 Adjusting CO₂ (carbon dioxide)

The CO₂ can only be adjusted by a certified gas technician with a calibrated CO₂ analyzer.



Caution: One factor that may affect CO₂ levels is improper gas pressure. Please see Chapter 3.12 for the procedure to measure gas pressure and record your findings below:

Static Gas Pressure: " WC

P1 Operating Pressure: " WC

The P1 minimum operating gas pressure is 3.5" WC for Natural Gas and 8" WC for Propane. Do not proceed in adjusting CO₂ until pressure is at or above these levels, but not to exceed 10.5" WC for Natural Gas and 13" WC for Propane.

A. Once Gas Pressure is adequate

- ▶ Press ON/OFF button to turn off the heater.
- ▶ Remove brass flat head screw on the exhaust collar as seen in Fig. 55.
- ▶ Insert CO₂ analyzer probe into the measuring port. The tip of the probe should be in the center of the flue pipe (approx 1.5" inserted). Avoid air gaps between probe and measuring port as they can alter readings.

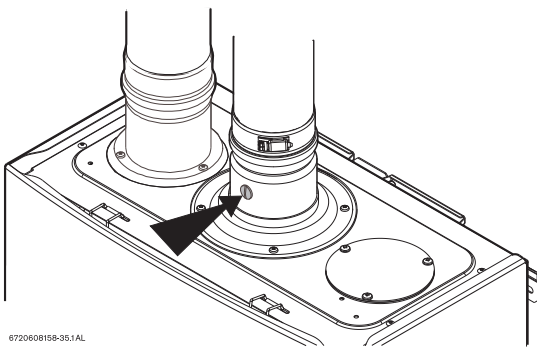


Fig. 55 Measuring port

- ▶ While holding the Program (P) button in, press the ON/OFF button to turn ON the heater (see Fig. 56). As soon as '188' flashes on the display, release the Program button. The display should now read P2. Press **+** button until "P1" appears on display.

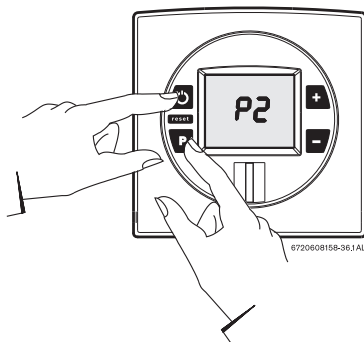


Fig. 56

B. Measuring CO₂ (combustion cover must be installed):

- ▶ Open all hot water taps to achieve a flow rate of at least 6 gallons per minute. (1 tub and 2 sinks should be sufficient). If heater display reverts to P2, open more hot water fixtures to allow sufficient flow. Press **+** until P1 reappears on the display.

- ▶ Record the CO₂ reading in P1 below. (Analyzer reading may take several minutes to stabilize).
- ▶ Press the **+** button until P2 appears. Unit will ramp down to low fire and the flow should decrease.

- ▶ Record the CO₂ reading in P1 and P2 below.

P2 CO₂ Reading: % CO₂

P1 CO₂ Reading: % CO₂

C. Adjusting CO₂:

Note: P1 adjustment will change the P2 reading. Confirm the P1 value BEFORE adjusting the P2 level.

1. If P1 CO₂ level is off:
 - ▶ Loosen yellow painted philips screw (1) and cover should rotate down (2) revealing a recessed brass slotted screw. Fig. 57.
 - ▶ Turning the slotted screw counter clockwise will raise P1 CO₂ levels and clockwise will lower P1 CO₂ levels. Adjustments to the slotted screw will also change P2 CO₂ levels.
 - ▶ After bringing the P1 CO₂ readings in proper range, press the **+** button to enter the P2 mode. Verify CO₂ readings in P2 mode.
2. If P2 CO₂ level is off:
 - ▶ Remove yellow painted #40 Torx cover from the front of the gas valve. (Fig. 58) A plastic #40 Torx screw will be revealed.
 - ▶ Turning the plastic #40 Torx screw counter clockwise will lower P2 CO₂ levels and clockwise will raise P2 CO₂ levels.

Note: This screw adjustment is very sensitive and should be made in small increments. It may take several minutes for readings to stabilize.

3. Verify both P1 and P2 CO₂ readings are within the ranges specified in table 17. Repeat steps 1 and 2 as necessary until CO₂ values are within the specified ranges.
4. Once CO₂ values are within the specified ranges, verify the CO readings on P1 and P2 do not exceed values shown in table 17. If values exceed this limit, inspect vent system and fin coils (chapter 6.1, page 32) for blockage.

D. Returning to Service:

1. Return slotted screw cover to original position and tighten philips screw.
2. Reinstall Torx cover.
3. Remove CO₂ analyzer probe and reinstall flathead screw with gasket in exhaust collar.
4. Press ON/OFF button to turn OFF the heater and then turn ON the heater.
5. Heater is ready for normal operation.

		CO ₂ range (%)	Max. CO level (measured)
Nat. Gas			
max. input	P1	7.5 % - 8.1 %	< 250 ppm
min. input	P2	2.3 % - 2.6 %	< 60 ppm
LP Gas			
max. input	P1	8.7 % - 9.3 %	< 250 ppm
min. input	P2	2.7 % - 3.0 %	< 60 ppm

* Values above are for climate controlled conditions. Inputs such as gas pressure, heating value of the gas, humidity and temperature of combustion air all impact CO and CO₂ values. Changes in these inputs can result in different CO and CO₂ values on the same appliance.

Table 17 CO₂ & CO target numbers

Final Readings

P2 CO₂ Reading: % CO₂

P1 CO₂ Reading: % CO₂

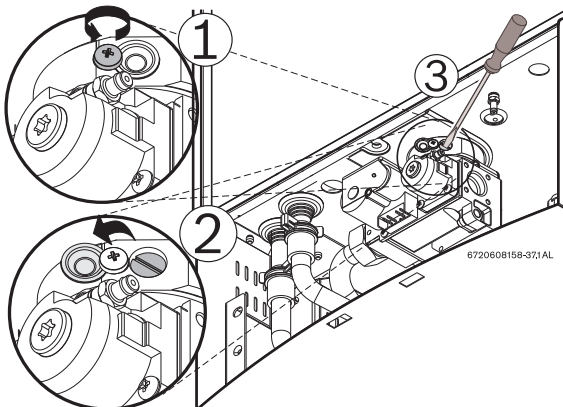


Fig. 57 Adjusting P1 CO₂ level

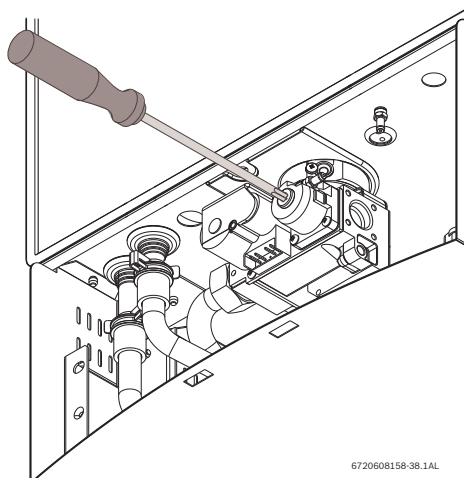


Fig. 58 Adjusting P2 CO₂ level

6.5 Program values

This section describes details on programming the appliance. For most applications the factory default values will robust and stable operation. Only adjust the factory settings if the installation requires changes as indicated in the appropriate section of this manual.

Refer to chapter 6.6 Control board diagnostics (page 37) regarding how to access these P-modes.



Caution: Misadjusted program values can lead to appliance malfunction, errors, and service calls.

Program	Description	Factory Default	MIN	MAX	Comment
P1	Maximum Power	NG: 48, LP: 46	21	NG: 50, LP: 49	see chapter 3.12, page 27. note: reducing P1 values below maximum will reduce maximum power of the appliance.
P2	Minimum Power	7	7	20	see chapter 3.3.6, page 17
P3	Remote Controls installed	_0	_0	6	see chapter 5.5, page 31
P4	Access to Diagnostic Mode	E	0d	10f	see chapter 6.6, page 37
P5	Cascade Mode	NO	NO	CC	contact Bosch for details
P6	Temperature Unit	°F	°F	°C	
P7	Appliance Type	NO	Cd	NO	Condensing / Non-condensing*
P8	Back light	dE	dE	ON	dE turns back light off after 60 seconds from last button pushed, ON turns backlight on permanently
P9	Fan Purge				runs secondary and primary fan when P9 is selected by depressing the "P" - button

Table 18 Program values, factory default settings and ranges.

* Incorrect setting causes errors.

6.6 Control board diagnostics

1. Turn on/off switch on water heater to off (O) position.
2. Press and hold the program (**P**) button while turning the on/off switch to the on (I) position. The display will cycle through a startup procedure including the software version.
3. Release the ' **P** ' button when '188' appears on the display. The display should read 'P2' when the program button is released. If not, repeat process.
4. Press and release the ' **+** ' button on the control panel until the display reads 'P4'. You are now in the diagnostic mode of the control board.
5. When the display reads 'P4', press and release the ' **P** ' button once again and the display should read 'E'.
6. Use the ' **+** ' and ' **-** ' button on the control board to cycle through different diagnostic modes available.
7. Once in the selected diagnostic mode of your choice, press and release the ' **P** ' button to display the diagnostic information.

EXAMPLE: to read the flow rate in gallons per minute while the unit is flowing water, cycle to the '3d' mode and press the ' **P** ' button. A reading of 25 on the display would indicate the heater is reading a flow rate of 2.5 gallons/minute.

8. Once the information is obtained, press the ' **P** ' button again to return to the diagnostic mode menu and scroll to addition diagnostic information.
9. To exit the diagnostic mode of the heater, use the ' **+** ' or ' **-** ' button until the display reads 'E'.
10. Press the ' **P** ' button once again and the display should read P4.
11. Turn the on/off switch off (O) and back on (I) again to return heater to normal function.

Diagnostic menu	
E	Entry/Exit into sub-modes
0d	Set-point temperature (°F)
1d	Inlet water temperature (°F)
2d	Outlet water temperature (°F)
3d	Water flow (gallons/min)
4d	Gas type (LP or NG)
5d	Fan speed (Hz)
6d	Burner power (%)
7d	Maximum power (kW)
8d	Back flow temperature (°F)
9d	Flue gas temperature (°F) ¹⁾ not used, setting 00
1F	Most recent error/failure
2F	2nd most recent error
3F	3rd most recent error
4F	4th most recent error
5F	5th most recent error
6F	6th most recent error
7F	7th most recent error
8F	8th most recent error
9F	9th most recent error
10F	10th most recent error

Table 19

- 1) Available only on model GWH C800 ES

7 Troubleshooting



Warning: If you are unable to perform the tasks listed below, or need additional assistance please contact your original installer or licensed gas technician.

7.1 Introduction

Many of the questions customers ask regarding operation of this unit can be answered by following the troubleshooting steps as outlined below. Visit our web site at www.boschhotwater.com for more detailed troubleshooting and service bulletins. For best results, perform each step before proceeding to the next. The suggested solutions may require that the cover be taken off. (See Page 6, Fig. 3).

7.2 Burner do not ignite when hot water is turned ON

1. If the display is blank, verify power to outlet. (120VAC/60Hz properly grounded circuit required). Verify that the heater ON/OFF button is turned ON.
2. Verify the fuses in the control board are good. See Section 4.2, page 28 of the installation manual for fuse locations.
3. Make sure cold water inlet connection is plumbed to the right side of heater when facing unit. See Fig. 30, page 25.
4. A minimum of 0.65 gallons per minute (GPM) (2.5 l/m) is required to activate the heater. In areas of warm inlet water temperatures, the heater may increase activation rate to as high as 1.6 gallons per minute (GPM) to prevent overshooting of set temperature.
5. Clean inlet filter screen per chapter 6.2, page 32.
6. Inspect the water path for obstructions. Make sure all showerheads, faucet aerators and whole house filters are clear of debris.
7. The heater activates when the water flow through the unit is at or above the required minimum of 0.65 GPM (2.5 l/m). A crossover in the plumbing creates back pressure on the water flowing through the heater. Therefore, a higher flow rate than normal is needed to force the heater to activate. To check for a plumbing crossover, shut off the cold water supply to the water heater. Then open all of the hot water taps served by the heater. Wait 10 minutes and check for water flow at taps. There should be no water flowing. Any continuous flow of water, small or large, indicates a crossover is present and must be corrected. Consult a professional plumber for help in correcting a crossover. Failing single lever faucets

and mixing valves are common causes of plumbing crossovers.

8. With the ON/OFF switch turned to OFF (O) position and the power supply cord unplugged, remove the unit's front cover (See Page 6, Fig. 3). Check wire connections between the water valve, control unit and electrode set. See chapter 12.1, page 49 for location of these parts.

7.3 Water is too hot

1. Selected temperature on the unit is set too high. To lower output temperature, see chapter 5.4, page 30.
2. Clean inlet filter screen per chapter 6.1, page 32.
3. Inspect the water path for obstructions. Make sure all showerheads, faucet aerators and whole house filters are clear of debris.
4. Confirm the heater's gas type coincides with the type of gas being supplied. See Fig. 2, page 6 for location of rating plate.
5. Avoid restrictive outlets. Clean all showerheads and faucet aerators. It may be necessary to upgrade to higher flow rate shower heads if allowable by local code.
6. In areas where the water has a high mineral content, periodic descaling may necessary. See chapter 6.3, page 33 for directions.
7. Ensure the outlet temperature sensor is making contact and firmly mounted on the hot water pipe.

7.4 Water is not hot enough

1. Selected temperature on the unit is too low. To raise output temperature, see chapter 5.4, page 30.
2. Clean inlet filter screen. See chapter 6.1, page 32.
3. Inspect the water path for obstructions. Make sure all showerheads, faucet aerators and whole house filters are clear of debris.
4. Confirm the heater's gas type coincides with the type of gas being supplied. See Fig. 2, page 6 for location of rating plate.
5. Check inlet gas particle screen for blockage at gas inlet connection on bottom of unit.
6. Verify gas pressure is in accordance with specifications in chapter 3.12, page 27. A gas pressure reading is needed to proceed further. Contact your original installer or a local certified gas technician to obtain this reading.
7. Cold water is mixing into the hot water lines (plumbing crossover). A plumbing crossover can unintentionally mix cold water with the hot water leaving the heater. The end result is a cooler water temperature than desired. To check for a plumbing crossover, shut off the cold water supply to the water

heater. Then open all of the hot water taps served by the heater. Wait 10 minutes and check all taps for water flow. There should be no water flowing. Any continuous flow of water, small or large, indicates a crossover and must be corrected. Consult a professional plumber for help in correcting a crossover. Failing single lever faucets and mixing valves are common causes of plumbing crossovers.

8. Ensure the outlet temperature sensor is making contact and firmly mounted on the hot water pipe.

7.5 Low water flow/pressure

1. Too many hot water applications are being used simultaneously or too much flow is demanded. The water heater will effectively support two 2.0-2.5 GPM shower heads simultaneously or multiple sink applications. Greater draws will result in a water pressure drop and reduced flow at taps.
2. Ensure that gas pressure is in accordance with specifications in chapter 3.12, page 27. A gas pressure reading is needed to proceed further. Contact your original installer or a local certified gas technician to obtain this reading. If gas pressure is inadequate, the water heater will close its motorized water valve, reducing the hot water flow rate in an attempt to reach the selected output temperature.
3. If selected temperature on the unit is set too high for the demanded flow rate, the water heater will close its motorized water valve, reducing the hot water flow rate in an attempt to reach the selected output temperature. Lowering the selected temperature will allow the motorized water valve to open up for increased water flow rate.
4. Clean inlet filter screen per chapter 6.1, page 32.
5. Inspect the water path for obstructions. Make sure all showerheads, faucet aerators and whole house filters are clear of debris.

7.6 Hot water temperature fluctuates at tap

1. Hot water is very hot out of the tap, requiring mixing of cold water in order to attain a useable hot water temperature. The addition of too much cold water will overpower the hot water flow from the tankless water heater.
This slows the flow within the tankless water heater, decreasing it below activation point, which shuts off the burners. The end result is nothing but cold water coming out of the outlet.
Consult www.boschhotwater.com for a detailed service bulletin on overcoming temperature fluctuations.
2. Unbalanced pressure in water lines. Any restriction in the water heater, such as a clogged inlet filter screen, can result in unequal pressures between the cold and hot water lines. In such cases, when mixing in the

higher pressure cold water at the tap, the lower pressure hot water can be overpowered. This will shut down the burners because the hot water flow rate fell below the minimum flow rate required for activation. Verify inlet filter screen is clean and clear of debris. See chapter 6.1, page 32 for inlet filter cleaning instructions.

3. Heater deactivated by temperature balancing valves. If the outlet water temperature is set too high, the heater can produce temperatures that are too hot. A temperature balance shower valve will automatically mix in cold water to reduce the hot water temperature. In the event of any temperature instability at a fixture using a temperature balancing valve, refer to the valve manufacturer for instructions on internal adjustment setting. An adjustment should be made to minimize the amount of cold water the valve is adding. Additionally, the temperature setting on the heater can be lowered to prevent the temperature balance valve from mixing in too much cold water.
4. Inlet water pressure is erratic due to fluctuating supply water pressure. For installation on a private well system with the use of a pressure tank, the lowest pressure range setting recommended is 40-60 psi (2.75 - 4.15 bar). Consult your installer or local plumber for effective ways to maintain constant water pressure to the water heater when on a well system.

7.7 Noisy burner/heater during operation

1. Sealed combustion leak. Make sure combustion cover is securely fastened. Ensure the exhaust vent adaptor is properly sealed with supplied gasket. Leaky seals create improper combustion resulting in noise.
2. Improper venting. Venting that is unsealed, the wrong material, too big in diameter or too long in run will result in unstable burner flames and noise. Ensure venting is proper and in accordance with specifications in chapter 3.3, page 9.
3. Lack of adequate combustion air. Drawing combustion air from a room area of inadequate size will result in unstable burner flames and noise. Improper use of piping for combustion air will result in unstable burner flames and noise. Ensure adequate combustion air is provided to the unit in accordance with specifications in Section 3.4, page 20, Combustion Air Requirements.
4. Cross contamination. Ensure that intake and exhaust terminations maintain minimum required clearances stated in the manual. Cross contamination between intake and exhaust may cause unstable burner flames and noise.

5. Lack of adequate gas pressure. Inadequate gas pressure will cause the fuel-to-air mixture (CO_2) to be out of adjustment. This will result in unstable burner flames and noise. Ensure gas pressure is in accordance with specifications in section 3.12, page 27 Measuring Gas Pressure. A gas pressure reading is needed to proceed further. Contact your original installer or a local certified gas technician to obtain this reading.
6. Verify proper CO_2 readings per chapter 6.4, page 33. CO_2 adjustments must be done by a certified gas technician with a calibrated combustion gas analyzer.

8 Problem solving

8.1 Error code diagnostics



To remove error code from the display, press the reset button.

Display	Cause	Solution
A2	Fault in the flue gas limiter.	<ol style="list-style-type: none"> 1. Check continuity of the flue gas limiter (see Fig. 64, page 49). Go to steps two and three to determine air box temperature sensor fault and replace it. 2. Check for flue gas leakage around the top and bottom seals of heat exchanger as well as the viewing window. 3. Check that venting is within specifications (see Section 3.3). Long vent lengths, venting with more than three elbows, blocked vent or combination venting may cause this failure. 4. Check that flue gas limiter connector and spade connections are secure. 5. Unplug heater and check the two main plug connections inside the control board.
A3	Appliance selection on "P7" mode is not correct.	<ol style="list-style-type: none"> 1. Check "P7" mode: water heater requires setting "NC". 2. Check jumper and connection on sensor at upper right hand corner of heat exchanger. 3. Measure jumper resistance, must be 115-125 ohms.
A4	Backflow temperature sensor defect - happens if sensor is disconnected or short circuit.	<ol style="list-style-type: none"> 1. Check backflow temperature sensor connection and resistance. See Fig. 62, page 47 and Fig. 64, page 49. 2. Replace backflow temperature sensor.
A7	Outlet temperature sensor fault (Temperature below freezing or above 210°F).	<ol style="list-style-type: none"> 1. Check red wire connections at hot water temperature sensor. Clean terminals with an eraser. If badly corroded, replace sensor and wire harness. See Fig. 64, page 49. 2. Sensor may trip if water temperature drops below freezing to protect heater from freezing conditions. Any damage due to freezing conditions is not covered under warranty. 3. Clean inlet filter screen and clear any debris out of shower heads, faucet aerators and whole house filters. 4. In areas where water has a high mineral content, periodic descaling may be necessary.

Table 20

* By installer or service technician only.







Display	Cause	Solution
<p>(Flashing)</p> 	<p>Outlet temperature sensor not sensing expected output temperature.</p>	<ol style="list-style-type: none"> 1. Check that the sensor is firmly attached to the hot water pipe (see Fig. 70, page 55). 2. Clean inlet filter screen and clear any debris out of shower heads, faucet aerators and whole house filters. 3. Check venting specifications are met. Long vent lengths, venting with more than three elbows, blocked vent or combination venting may cause this failure. 4. Check gas pressure. Low gas pressure may prevent the heater from reaching desired output temperature. 5. Check supply voltage. It must be 120VAC and properly grounded. 6. Possible defective control unit call Bosch Water Heating for further instructions. 7. Ensure that outlet temperature sensor is not placed on any bends in the hot water pipe or misreading may occur.
	<p>Primary fan rotation too low on operation.</p>	<ol style="list-style-type: none"> 1. Disconnect power supply cord and check wire connections on back side of primary fan and the two connectors on the control board (see Fig. 71, page 56). 2. Check supply voltage. It must be 120VAC and properly grounded. 3. Check venting specifications are met. Long vent lengths, venting with more than three elbows, blocked vent or combination venting may cause this failure. 4. Ensure intake and exhaust terminations maintain the required minimum clearances stated in the manual. Cross contamination between intake and exhaust may cause the fan to alter its rotational speed. 5. Check gas pressure. Low gas pressure may cause the fan to change its speed to meet desired temperature. 6. Possible defective control unit call Bosch Water Heating for further instructions.
	<p>No rotational speed sensor signal from primary fan.</p>	<ol style="list-style-type: none"> 1. Disconnect power supply cord and check wire connections on back side of primary fan and the two connectors on the control board (see Fig. 71, page 56). 2. Check supply voltage. It must be 120VAC and properly grounded. 3. Possible defective component in fan or defective control unit call Bosch Water Heating for further instructions.
<p>(Flashing)</p> 	<p>Water flow signal over specified maximum value. Water flow > 10 gallon/min.</p>	<ol style="list-style-type: none"> 1. Disconnect power supply cord and check wire connections on water valve and the two connectors on the control board (see Fig. 71, page 56). 2. Excessive water pressure and flow. Ensure water pressure is less than 150psi and flow rate is below 10 gallons per minute.
	<p>Internal hardware/software failure.</p>	<ol style="list-style-type: none"> 1. Disconnect power supply cord and check the two wire and ground connections on control board as well as ground connection on heater chassis. 2. Pushing the wrong combination of buttons on the control unit can create confusion among the microprocessors inside. In this case, the error code should not happen more than once or twice. Turn off the water heater. Turn water heater back on and try resetting error code. Use the reset button () to reset any error codes. 3. Possible defective control unit. Call Bosch Water Heating for further instructions.

Table 20

* By installer or service technician only.





Display	Cause	Solution
	<p>Over-temperature detected by outlet temperature sensor on hot water pipe. Temperature > 185°F</p>	<ol style="list-style-type: none"> 1. Check that the sensor is firmly attached to the vertical section of the hot water pipe (see Fig. 70, page 55). 2. Check red wire connections at outlet temperature sensor. Clean terminals with an eraser. If badly corroded, replace sensor and wire harness. Check sensor resistance (see Fig. 60, page 46). 3. Clean inlet filter screen per chapter 6.2, page 32 and clear any debris out of shower heads, faucet aerators and whole house filters. 4. In areas where water has a high mineral content, periodic descaling may be necessary. See chapter 6.3, page 32 for directions.
	<p>Cold water temperature sensor fault.</p>	<ol style="list-style-type: none"> 1. Check connector on wires coming from top of watervalue for a secure connection. See Fig. 64, page 49. 2. Sensor may trip if water temperature drops below freezing to protect heater from freezing conditions Any damage due to freezing conditions is not covered under warranty.
	<p>Backflow temperature sensor over 309°F. The appliance will close the burner and lock.</p>	<ol style="list-style-type: none"> 1. Check combustion air and backflow vent piping for blockage. 2. Check if secondary fan connections are disconnected. 3. Check venting specifications are met. Long vent lengths, venting with more than three elbows, blocked vent or combination venting may cause this failure. 4. Check sensor resistance (see Fig. 62, page 47).
	<p>Overheat sensor (ECO) open circuit (should reset when cooler temperatures are detected).</p>	<ol style="list-style-type: none"> 1. Disconnect power supply cord and check wire connections on overheat sensor (top right of heat exchanger) and the two connectors on the control board. See Fig. 64, page 49. 2. Check white wire connections at overheat sensor. Clean terminals with an eraser. If badly corroded, replace sensor and wire harness. 3. Check venting specifications are met. Long vent lengths, venting with more than three elbows, blocked vent or combination venting may cause this failure. 4. Clean inlet filter screen and clear any debris out of shower heads, faucet aerators and whole house filters. 5. In areas where water has a high mineral content, periodic descaling may necessary, see chapter 6.3. 6. Unplug power supply cord to the water heater. Open a hot water tap for several minutes to allow cold water to pass through heat exchanger. Close hot water tap and disconnect lead wires to overheat sensor. Using a multimeter, check continuity through overheat sensor contacts. Replace sensor if open.

Table 20

* By installer or service technician only.





Display	Cause	Solution
	<p>No flame ionization detected with water flow.</p>	<ol style="list-style-type: none"> 1. Verify that all manual gas shut off valves are open. 2. Check gas type, see Fig. 2, page 6. 3. Reset error code and open a water tap to cycle the heater in an effort to purge air on new installations. Cycling hot water tap on and off multiple times may be necessary. If heater still faults with EA error code, have a licensed gas technician properly purge air out of the gas line leading to the water heater. 4. Check three wire connections to ignition group on the lower front of the heat exchanger are secure. 5. Check gas pressure, see chapter 3.12, page 27. 6. Check venting specifications are met. Improper venting may cause premature failure of the flame sensor rod. 7. Check that the minimum power fan speed has been adjusted to the proper value. See page 18. 8. Observe inside the viewing window of the heat exchanger when a hot water tap is opened. Sparking should be followed by a steady blue flame. If flame is unstable or yellow with proper gas pressure, confirm CO₂ readings per section 6.4.
	<p>Ionization failure during operation.</p>	<ol style="list-style-type: none"> 1. Check gas type, see Fig. 2, page 6. 2. Check three wire connections to ignition group on the lower front of the heat exchanger are secure. 3. Check venting specifications are met. Improper venting may cause unstable burner flames and loss of flame ionization. 4. Check that the minimum power fan speed has been adjusted to the proper value. See page 18. 5. Check gas pressure, see section 3.12, page 27. 6. Check and adjust CO₂ readings, see section 6.4, page 33.
	<p>Ionization error at standby.</p>	<ol style="list-style-type: none"> 1. Loose connection to the flame ionization rod. Verify that the thinner wire leading from the control unit is securely connected to the flame sensor located on the lower front of the heat exchanger. See Fig. 64, page 49. 2. Flame ionization rod or control unit may be damaged. Contact Bosch Water Heating for further instruction.
	<p>Gas leakage error, gas valve circuit not closing properly.</p>	<ol style="list-style-type: none"> 1. Disconnect power supply cord and check wire connections on gas valve and the two connectors on the control board. 2. Flow water out of a hot water tap above the minimum activation point of 0.65 GPM. Measure voltage at the gas valve wire plug connection. The voltage should measure 24VDC between the left pair of wires and 24VDC between the right pair of wires when the unit is operating. If voltage is not proper, contact Bosch Water Heating for further instruction. 3. Gas valve may be defective, contact Bosch Water Heating for further instruction.

Table 20

** By installer or service technician only.*

9 Electrical diagram

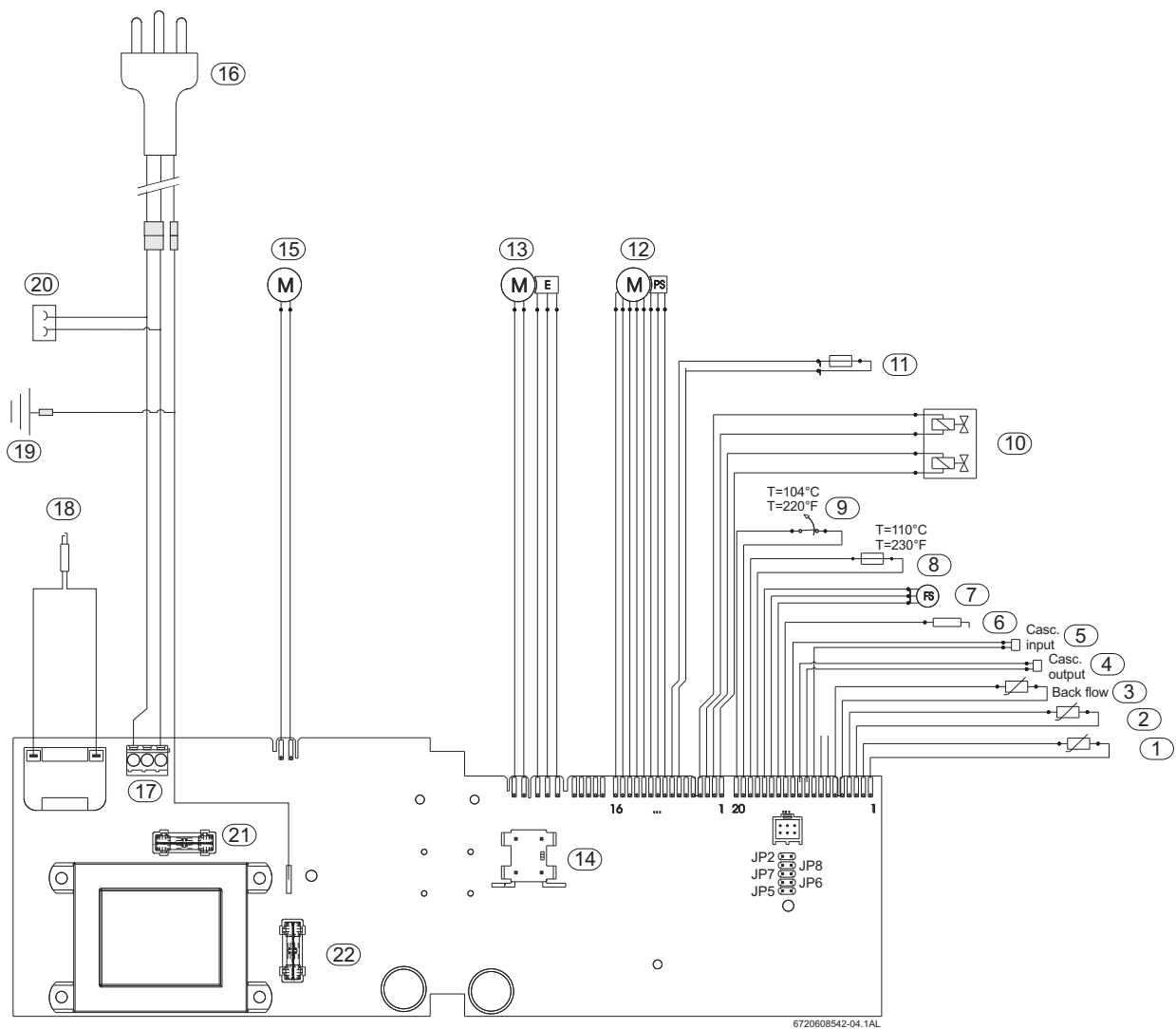


Fig. 59 Electrical scheme

- 1 Inlet water temperature sensor
- 2 Outlet water temperature sensor
- 3 Backflow temperature sensor
- 4 Cascading output connection
- 5 Cascading input connection
- 6 Ionization sensor
- 7 Water flow sensor
- 8 Flue gas limiter
- 9 Heat exchanger overheat sensor (ECO)
- 10 Gas valve
- 11 Jumper resistance
- 12 Water valve
- 13 Primary fan
- 14 ON/OFF switch
- 15 Secondary fan
- 16 AC plug
- 17 Main connection
- 18 Ignition electrodes
- 19 Ground post
- 20 Antifreeze kit connection
- 21 Fuse
- 22 Fuse

10 Sensor resistance charts

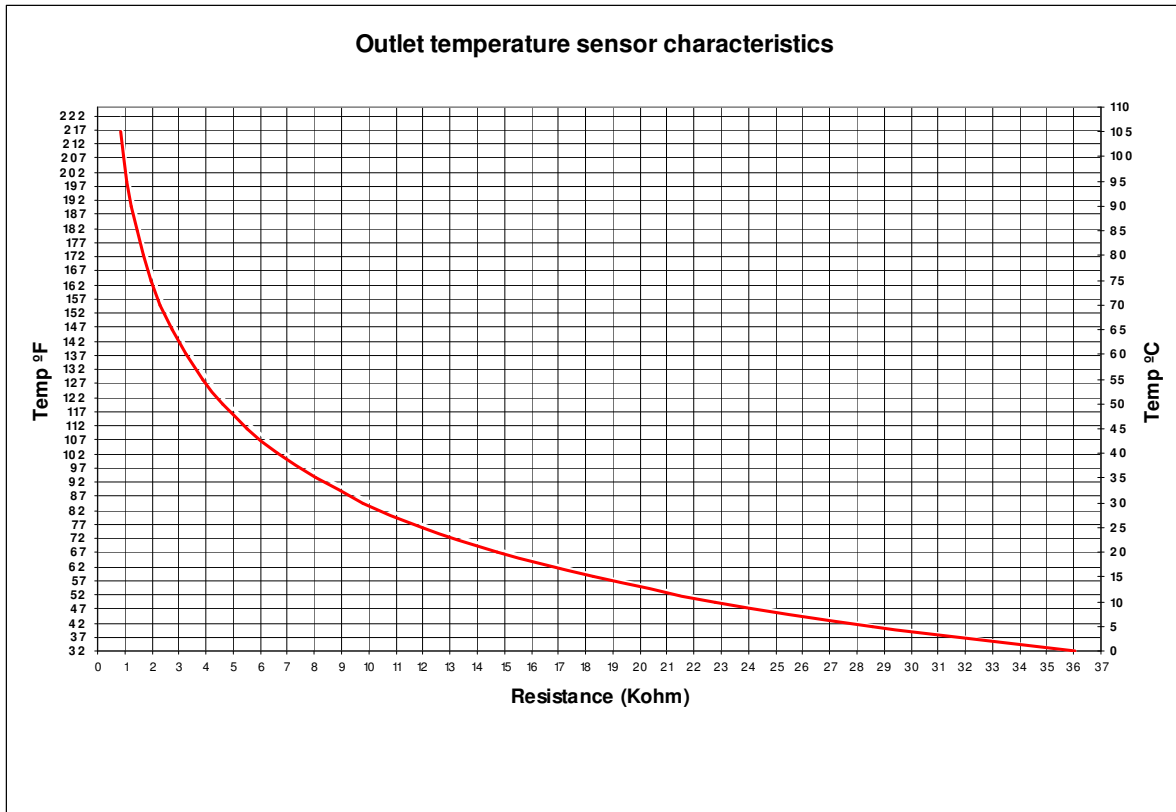


Fig. 60

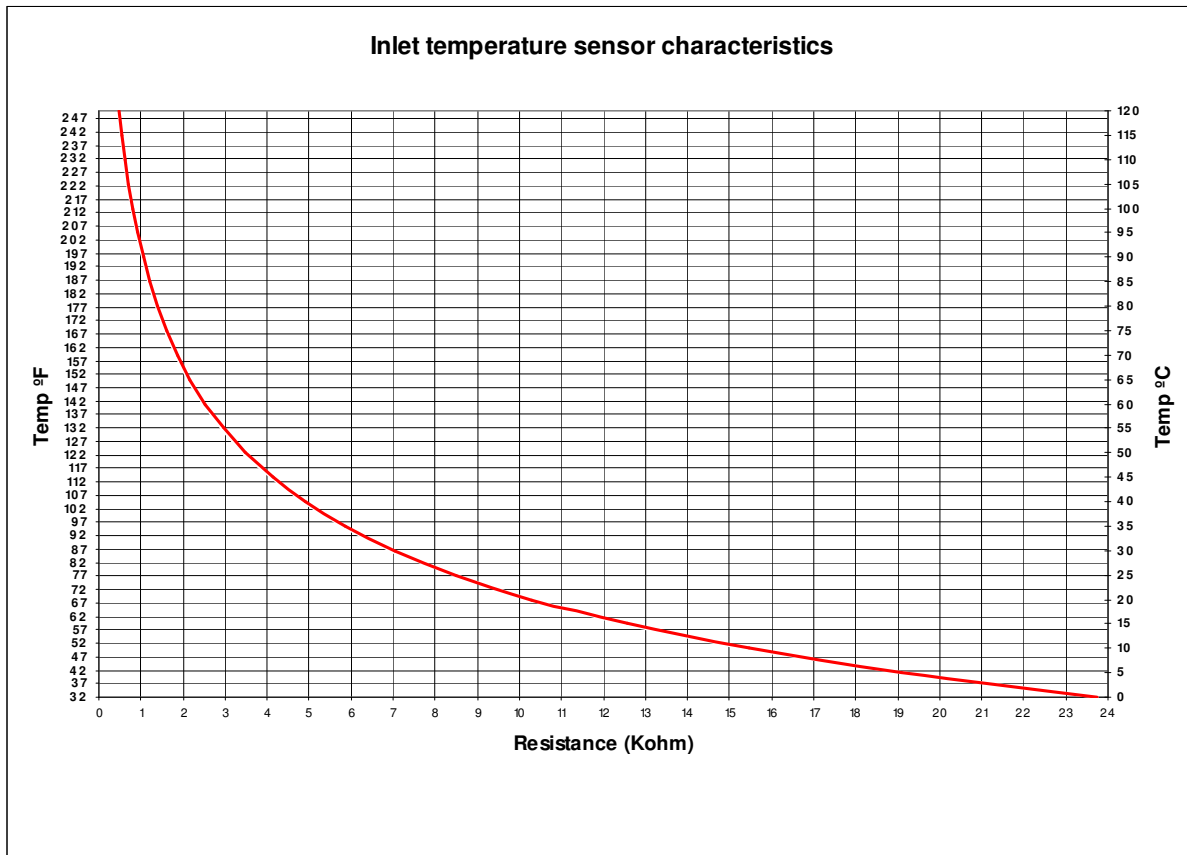


Fig. 61

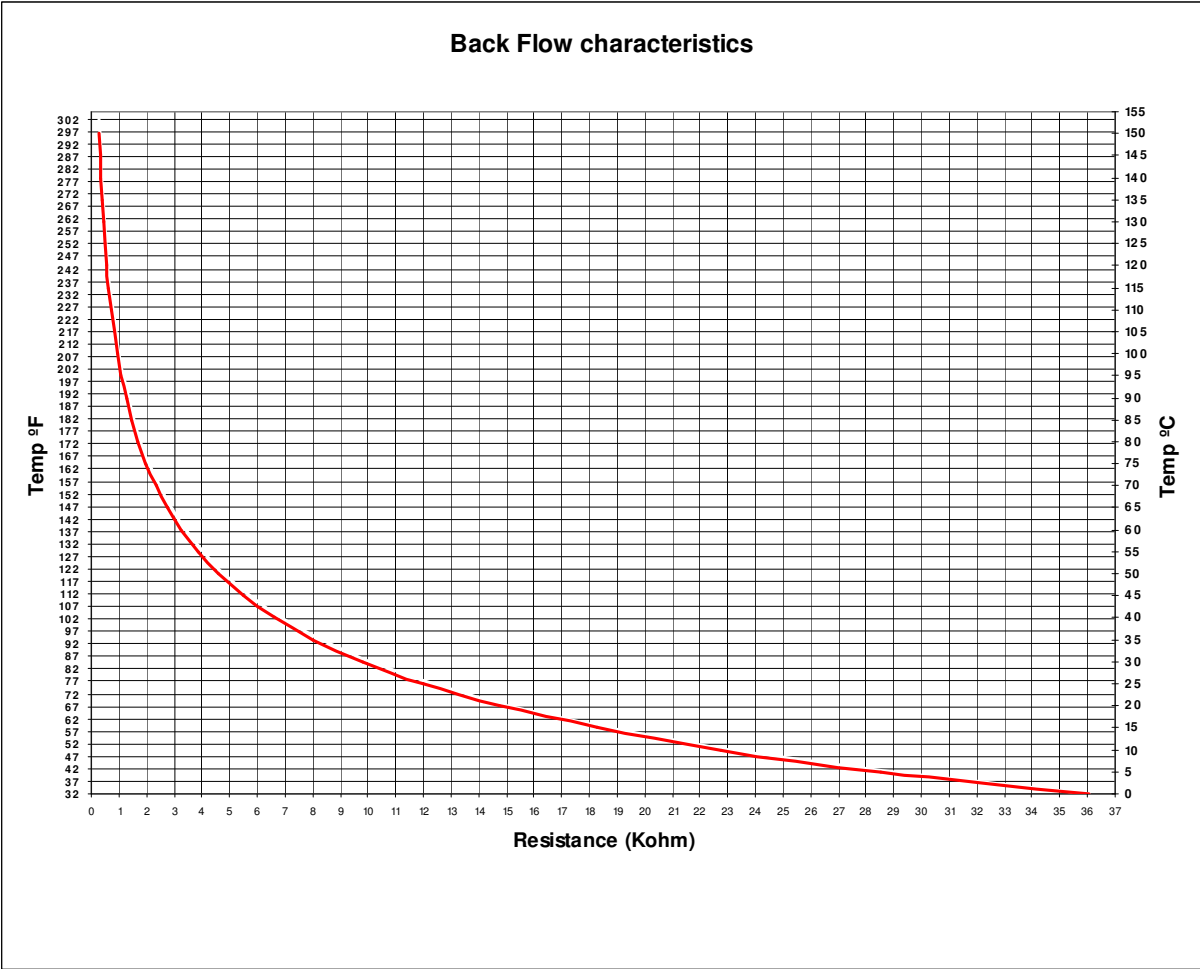
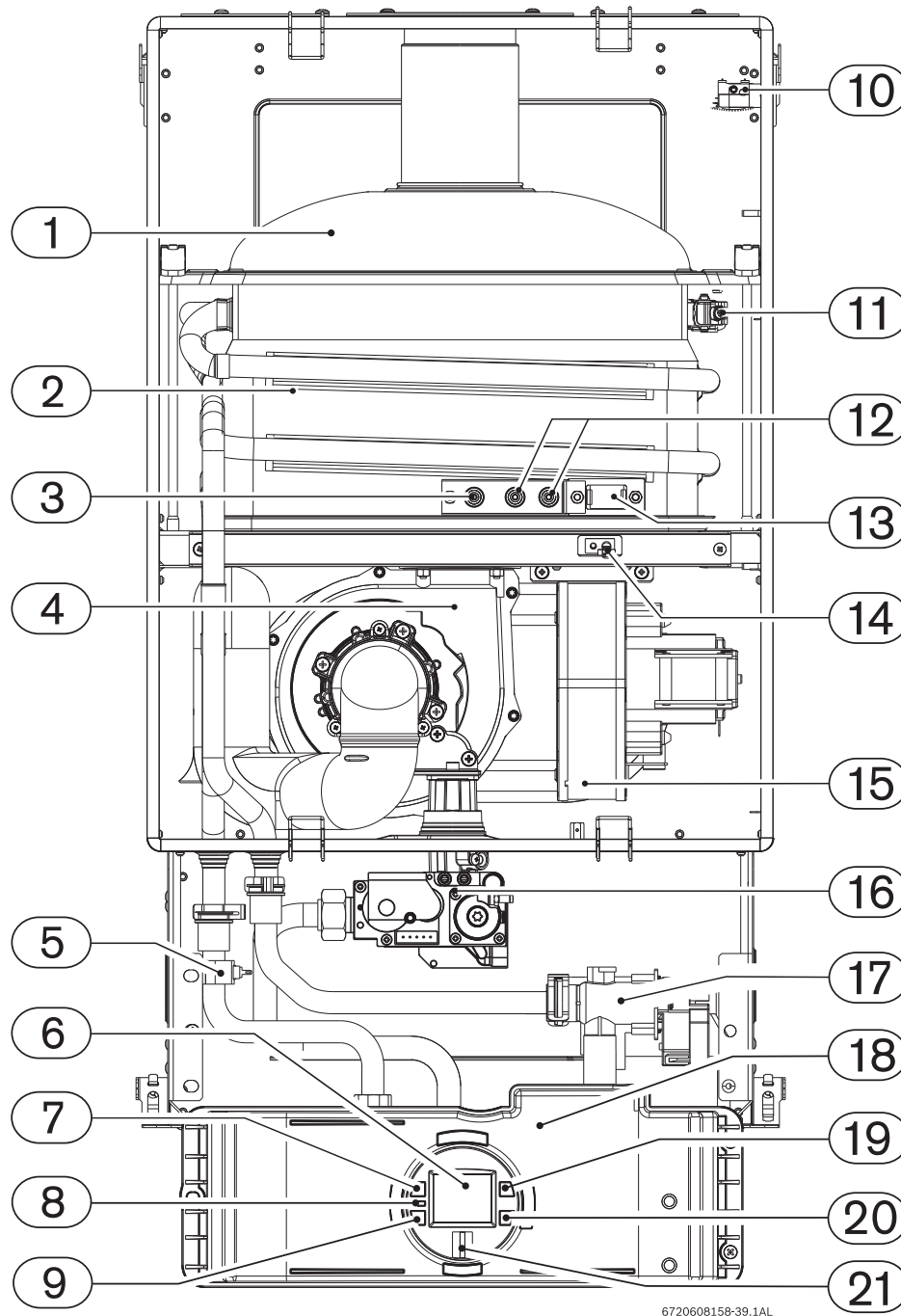


Fig. 62

12 Interior components diagram and parts list

12.1 Interior components



6720608158-39.1AL

Fig. 64 Components

1	Flue gas collector	12	Ignition electrodes
2	Heat exchanger	13	Observation window
3	Flame sensor	14	Backflow temperature sensor
4	Primary fan (Mixer)	15	Secondary air fan
5	Outlet temperature sensor	16	Gas valve
6	LCD display	17	Water valve with engine and temperature sensor
7	On/Off button	18	Control unit
8	Reset button	19	Up button
9	Program key	20	Down button
10	Flue gas limiter	21	LED
11	Heat exchanger overheat sensor (ECO)		

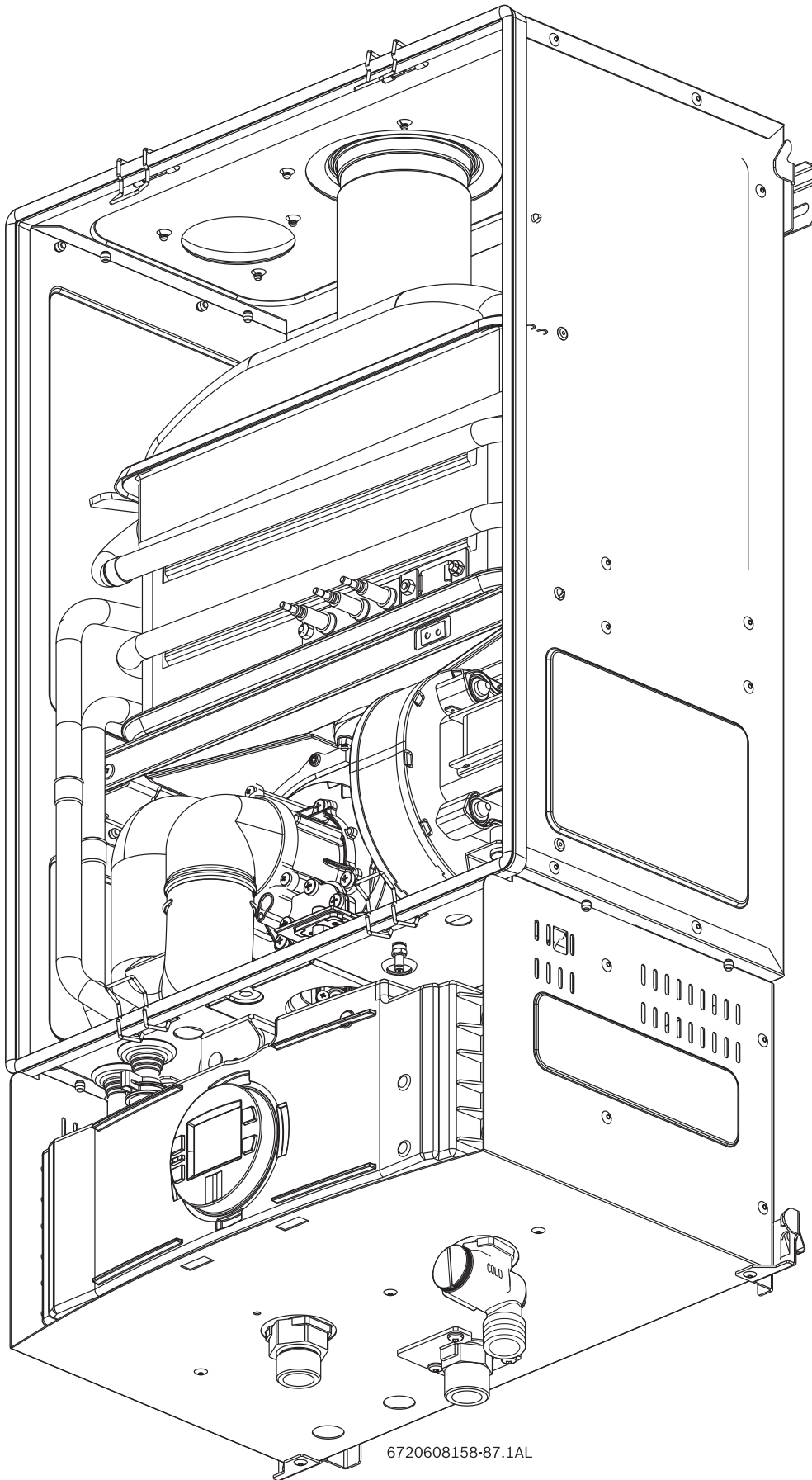
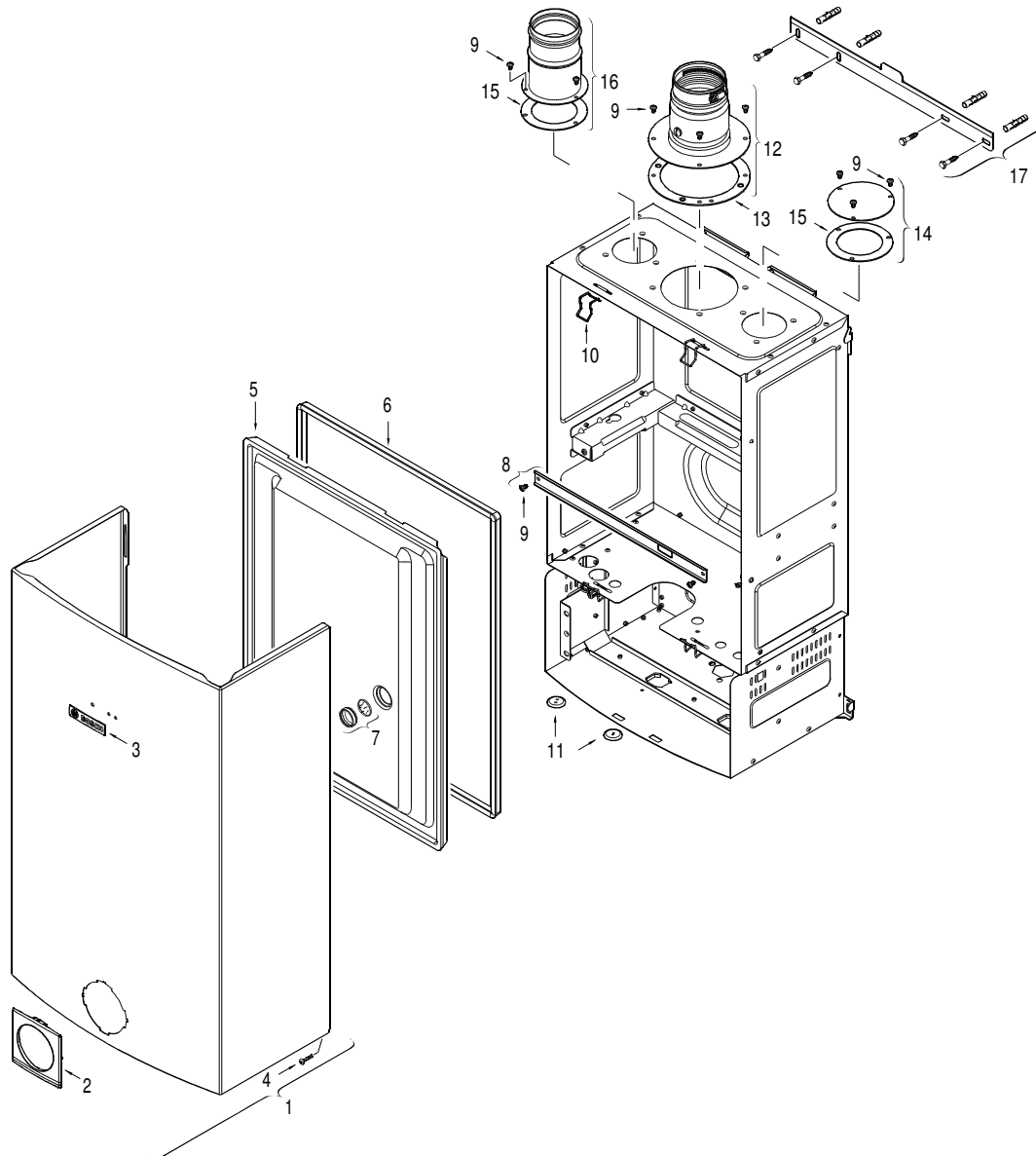


Fig. 65 Appliance overview

12.2 Components diagram

12.2.1 Group 1



6720902973.AA JF

Fig. 66 Components Diagram

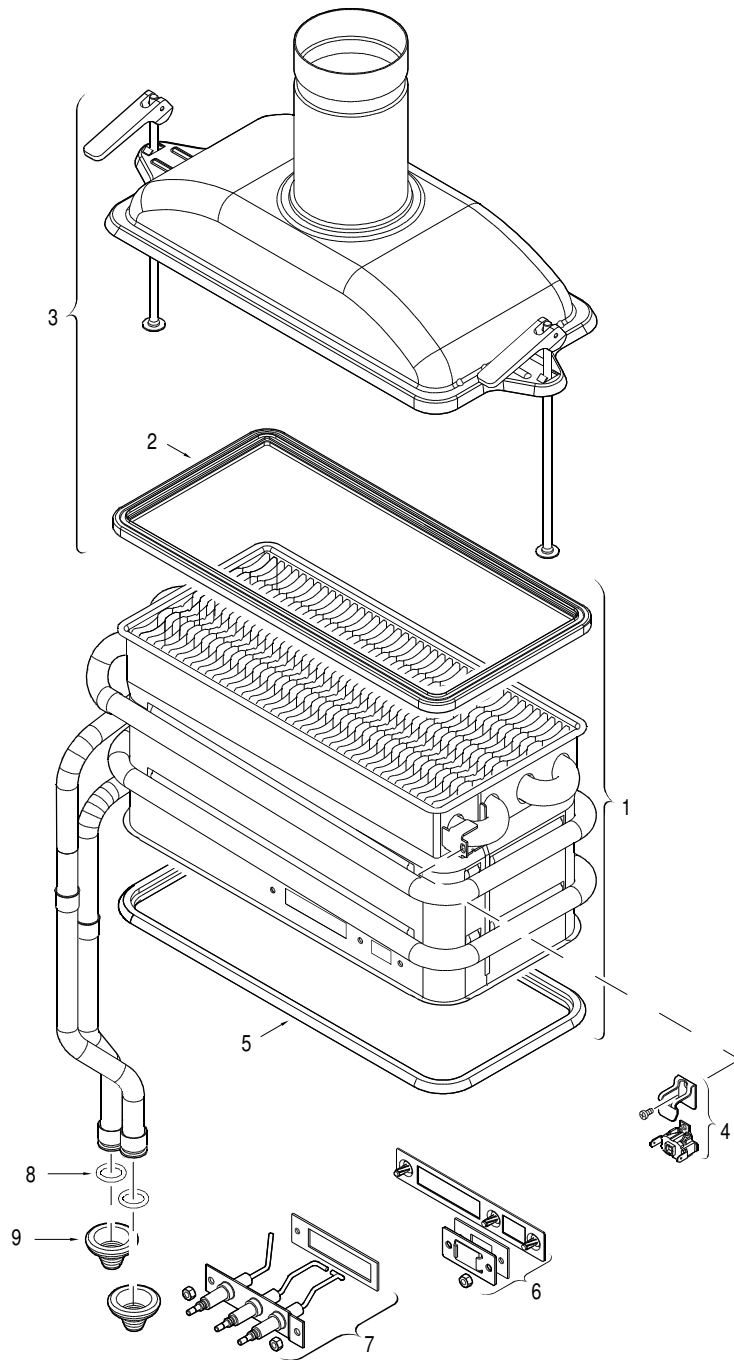
Item	Description	Reference
1	Front cover	8 705 431 286
2	Cover shield	8 705 506 862
3	Trade mark badge	8 701 103 140
4	Cover screw	8 703 401 170
5	Combustion cover	8 700 506 300
6	Combustion cover gasket	8 704 701 084
7	Observation window	8 705 600 003
8	Holding bracket	8 708 104 103
9	Screw	8 703 403 012

Table 21

Item	Description	Reference
10	Combustion cover clip	8 701 201 032
11	Grommet set	8 710 203 039
12	Exhaust accessory	8 705 504 162
13	Gasket exhaust	8 700 103 710
14	Inlet air cover	8 708 006 022
15	Inlet air gasket	8 700 103 166
16	Inlet air accessory	8 705 504 116
17	Mounting bracket	8 701 309 164

Table 21

12.2.2 Group 2



6720902974.AA JF

Fig. 67 Components Diagram

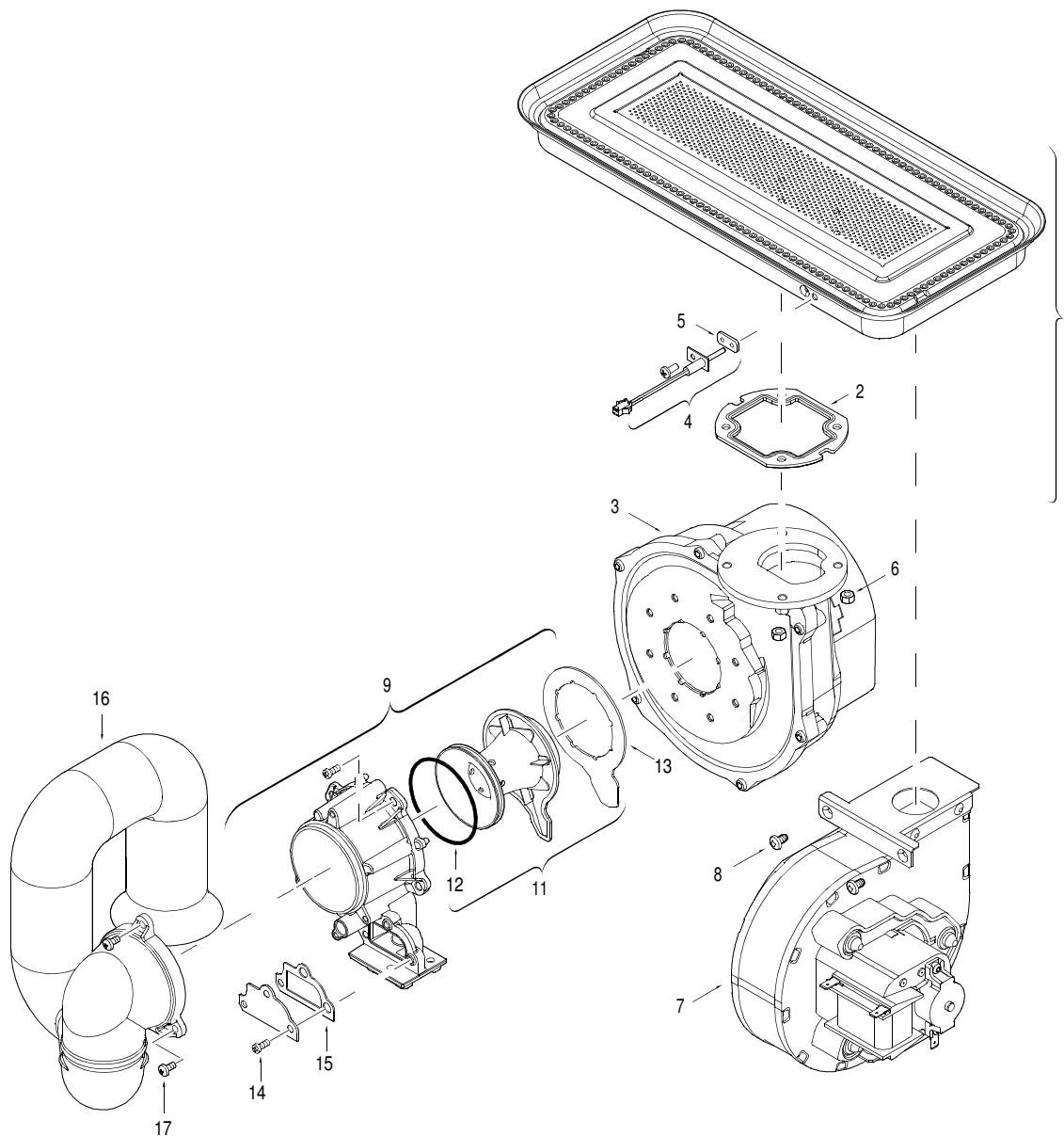
Item	Description	Reference
1	Heat exchanger	8 705 406 422
2	Heat exchanger top gasket	8 704 701 052
3	Flue gas collector	8 705 700 153
4	Overheat sensor (ECO)	8 707 206 204
5	Heat exchanger bottom gasket	8 704 701 054

Table 22

Item	Description	Reference
6	Site window	8 701 000 401
7	Ignition group	8 701 302 249
8	Heat exchanger O-ring	8 700 205 147
9	Rubber grommet	8 710 303 027

Table 22

12.2.3 Group 3



6720902975.AA JF

Fig. 68 Components Diagram

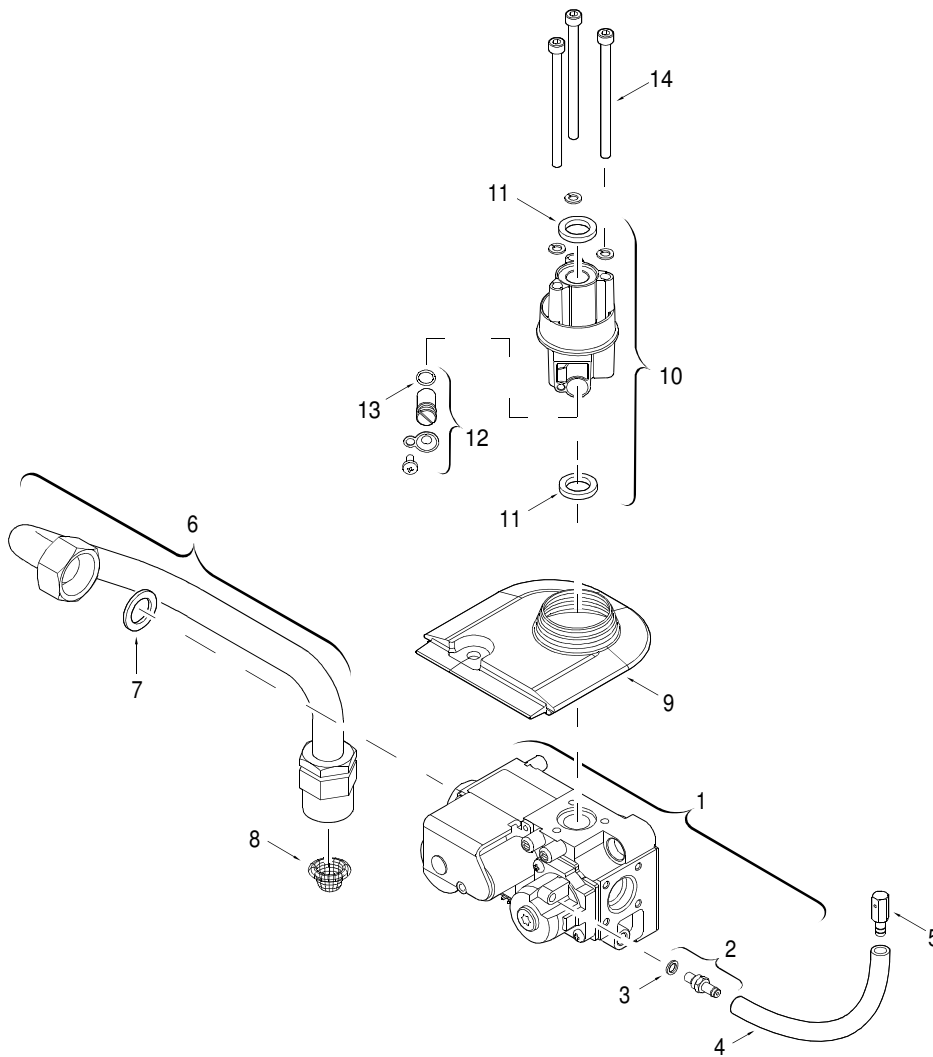
Item	Description	Reference
1	Main burner	8 708 120 699
2	Burner gasket	8 704 701 087
3	Primary fan	8 707 204 071
4	Backflow temperature sensor	8 707 206 459
5	Washer	8 704 701 097
6	Fan mount nut	2 915 011 006
7	Secondary fan - NG	8 707 204 094
7	Secondary fan - LPG	8 707 204 072
8	Screw	8 703 403 012
9	Gas / Air Mixer	8 705 700 170

Table 23

Item	Description	Reference
10	Air duct O-ring	8 700 205 149
11	Venturi	8 700 306 226
12	O-ring	8 700 205 224
13	Mixer / Fan gasket	8 704 701 059
14	Screw	2 910 642 150
15	Plate gasket	8 701 004 049
16	Air supply duct	8 705 700 155
17	Screw	2 910 952 122

Table 23

12.2.4 Group 4



6720608158-73.1AL

Fig. 69 Components Diagram

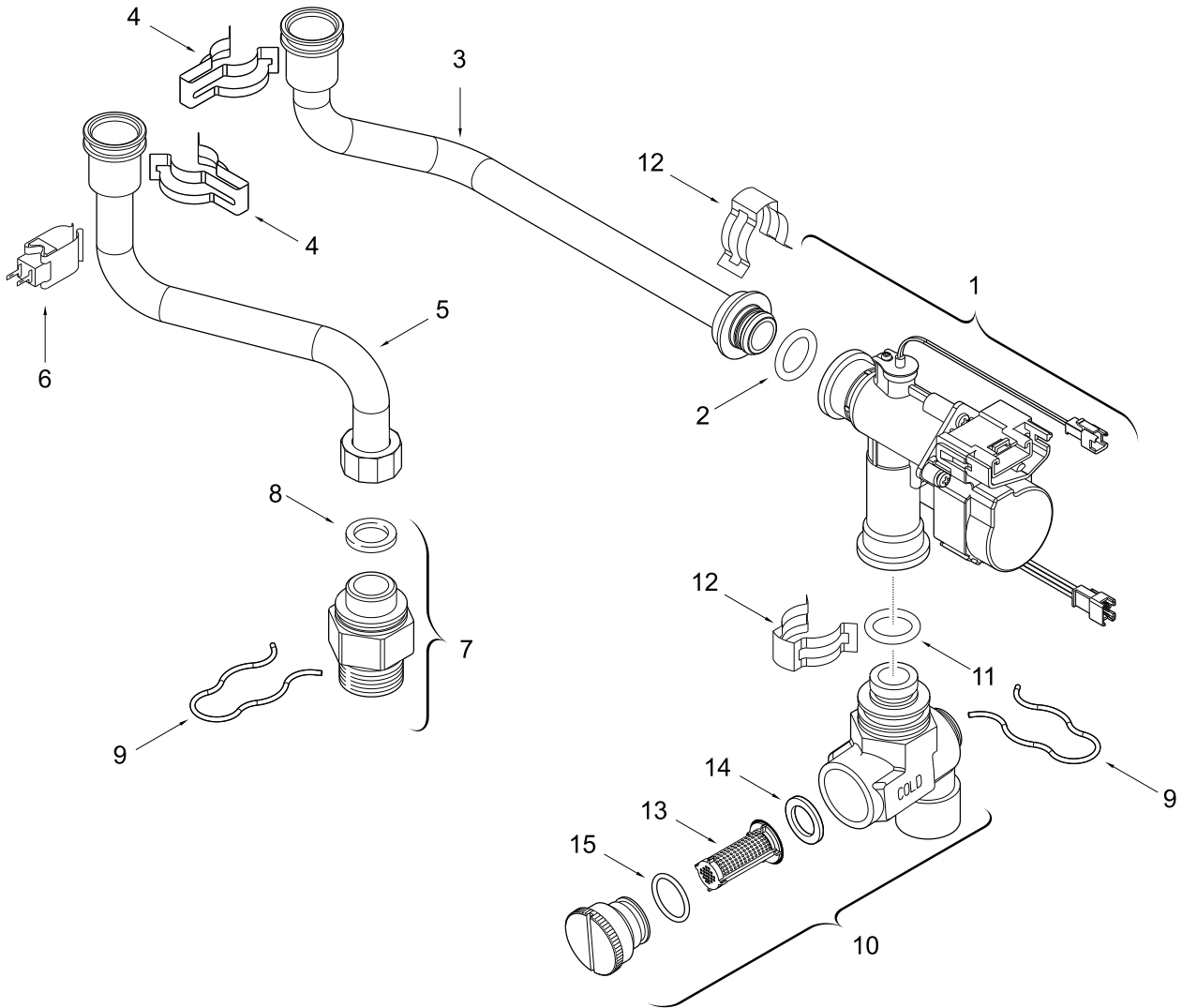
Item	Description	Reference
1	Gas valve	8 707 021 019
2	Pressure tapping	8 703 404 219
3	Washer	8 700 203 041
4	Pressure balance tube	8 700 703 136
5	Pressure balance nut	8 703 300 041
6	Gas supply pipe	8 700 715 389
7	Gas valve washer	8 700 103 014

Table 24

Item	Description	Reference
8	Gas filter	8 700 507 002
9	Gasket	8 704 701 085
10	Gas / Fan connector	8 705 202 140
11	Washer	8 704 701 062
12	Regulation screw	8 703 404 220
13	O-ring	8 700 205 009
14	Screw	2 910 149 181

Table 24

12.2.5 Group 5



6720608542-01.1AL

Fig. 70 Components Diagram

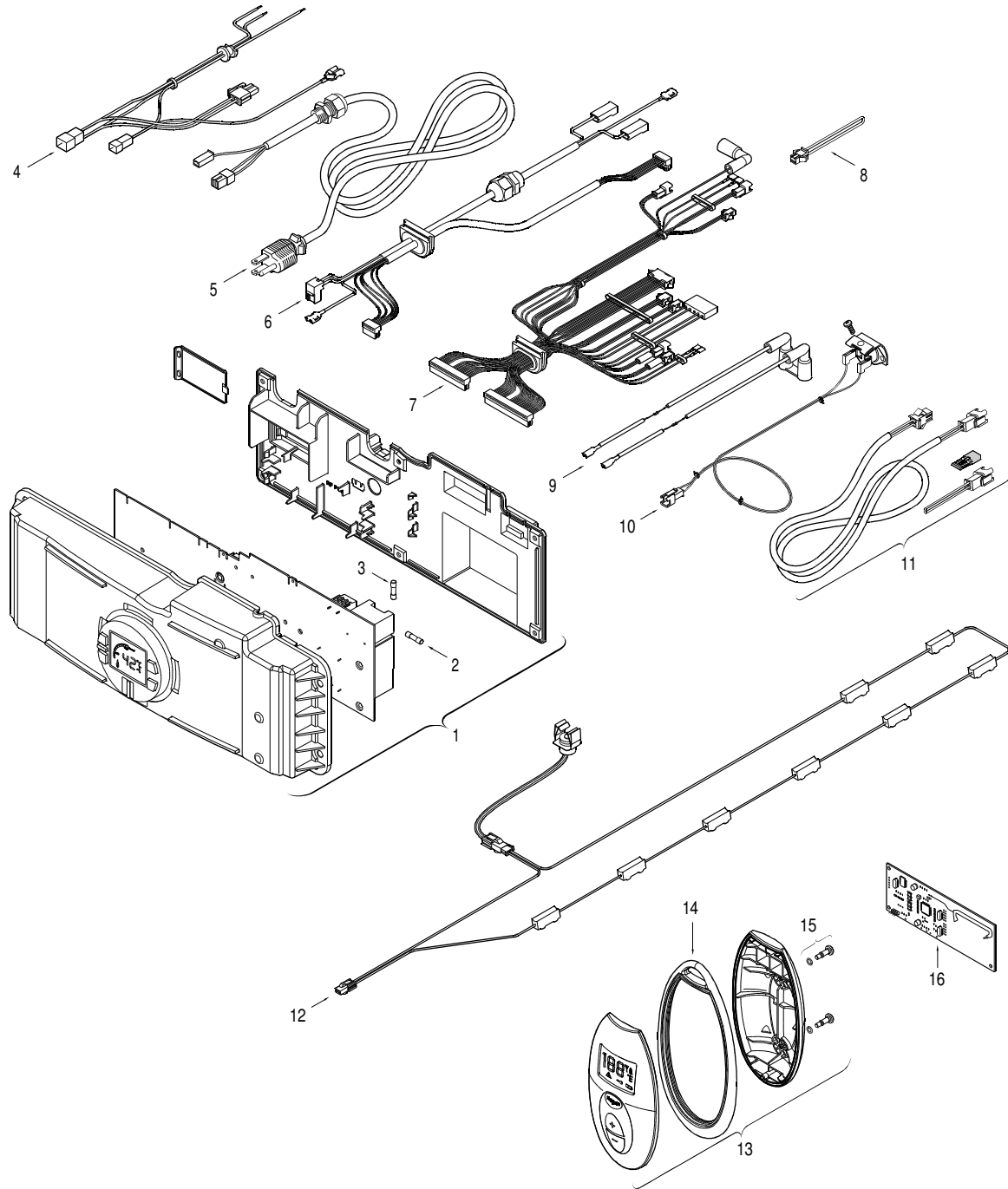
Item	Description	Reference
1	Water valve with engine	8 708 505 024
2	O-ring	8 700 205 147
3	Cold water pipe	8 700 715 394
4	Pipe connection clip	8 701 201 028
5	Hot water pipe	8 700 715 469
6	Temperature sensor	8 700 400 015
7	Outlet fitting	8 703 305 349
8	Inlet / Outlet washer	8 710 103 045
9	Wireform spring	8 701 300 025

Table 25

Item	Description	Reference
10	Inlet fitting with filter	8 703 305 356
11	O-ring	8 700 205 157
12	Watervalue clip	8 716 102 607
13	Water filter	8 700 507 059
14	Washer	8 700 103 764
15	O-ring	8 700 205 231

Table 25

12.2.6 Group 6



6720902978.AA JF

Fig. 71 Components Diagram

Item	Description	Reference
1	Control unit	8 707 207 257
2	Fuse T2.5A	1 904 521 342
3	Fuse T1.6A	8 700 609 008
4	Power supply cables	8 704 401 371
5	Power supply cord	8 704 401 378
6	Fan cables	8 704 401 347
7	Wire harness	8 704 401 348
8	Jumper	8 704 401 376


Table 26

Item	Description	Reference
9	Electrode cables	8 704 401 346
10	Flue gas limiter	8 700 400 032
11	Cascading kit (optional)	7 709 003 617
12	Anti freeze kit	7 709 003 665
13	Remote control (optional)	8 707 207 153
14	Shaped seal (optional)	8 700 201 012
15	Screw (optional)	8 703 401 109
16	Printed circuit transceiver (optional)	8 708 300 123

Table 26

13 Protecting the environment

Packing

The packing box may be fully recycled as confirmed by the recycling symbol .

Components

Many parts in the heater can be fully recycled in the end of the product life. Contact your city authorities for information about the disposal of recyclable products.

14 Limited Warranty

General

Aquastar water heaters are warranted by the Manufacturer (BOSCH) through *Bosch Thermotechnology Corp.*

Bosch thermotechnology corporation will furnish a replacement heat exchanger and will furnish a replacement of any other part which fails in normal use and service within the applicable periods specified below, in accordance with the terms of this warranty. The *Bosch Thermotechnology Corp.* replacement will be warranted for the unexpired portion of the original warranty. This warranty will be valid only for water heaters in possession of the original purchaser as recorded on the warranty card.

The Heat Exchanger

If the heat exchanger fails within twelve (12) years after the original installation and operation, *Bosch Thermotechnology Corp.* will furnish a replacement heat exchanger. However, if the water heater is used within an approved hot water recirculation and supplied with circulated water, this heat exchanger warranty is limited to three (3) years from date of original installation and operation. If the water heater is installed in other than a single family dwelling, this heat exchanger warranty is limited to two (2) years from date of original installation and operation.

Exceptions

This warranty will not apply:

- **1.** to defects or malfunctions resulting from failure to properly install, operate or maintain the unit in accordance with the printed instructions provided;
- **2.** to damage or abuse, accident, neglect or freezing and other acts of nature;
- **3.** to damage resulting from operation with either the flame sensor rod or overheat sensor removed;
- **4.** to failure of the heat exchanger resulting from the operation of the water heater in a corrosive atmosphere or at water temperatures exceeding the maximum rating, or if the water heater is not supplied with potable water;
- **5.** to defects or damage cause by any attachment or modification, including any energy-saving device.
- **6.** to damage resulting from scale deposits and/or highly mineralized / unsoftened water supply.

All Other Parts

If any other part fails within five (5) years after original installation and operation, *Bosch Thermotechnology Corp.* will furnish a replacement part free of charge.

Service Labor Costs

This warranty does not cover any labor costs associated with service, removal or re-installation of part(s). All such costs must be borne by the Purchaser. Additionally, this warranty does not cover any labor costs associated with service, removal, installation or re-installation of the original water heater or a replaced water heater.



NOTE: the water heater must be free of damaging scale deposits and not subject to gas pressures greater than those shown on the rating plate, which must not be altered, defaced or removed.

How to Make a Claim

Any claim for warranty parts should be made to your local dealer or distributor:

BOSCH THERMOTECHNOLOGY CORP.

340 Mad River Park
Waitsfield, VT 05673
TEL. 800-642-3111
www.boschhotwater.com

In most cases, the dealer or distributor will be able to promptly honor your claim and subsequently notify *Bosch Thermotechnology Corp.* However, all replacements are made subject to validation by *Bosch Thermotechnology Corp.* of in-warranty coverage. The damaged or defective item must be made available in exchange for the replacement.

Miscellaneous

No one is authorized to make any other warranties on behalf of *Bosch Thermotechnology Corp.* It is expressly understood that the replacement warranty of *Bosch Thermotechnology Corp.* shall be in lieu of any and all other warranties, express or implied, including warranties of merchantability or fitness for a particular use or purpose, and further that *Bosch Thermotechnology Corp.* shall not be liable for any loss or damage directly or indirectly arising from the use of the hot water heater, or for any consequential damages arising from such use (including damages from water leakage). *Bosch Thermotechnology Corp.* sole liability with respect to any defect shall be for the replacement of the defective part(s). Some states do not allow such limitations and exclusions, so the above may not apply to you.

This warranty gives specific legal rights. You may also have other rights which vary from state to state.



6720608542

Installer Checklist to be completed by installer upon installation

Serial Number

(8 digit serial number is located on rating plate on right side panel)

Gas Pressure Reading*

Static_____

Operating_____

Building Water Pressure

Range if on Well system _____

Installing Company

Installer name

Address

Phone

* See Chapter 3.12, page 27 and gas pressure table (to be filled out by installer)

Installation manual should be left with the owner after the installation is tested and completed

Replacement Parts available from:

BOSCH THERMOTECHNOLOGY CORP.

50 Wentworth Avenue
Londonderry, NH 03053
Tel. 866-330-2730
www.boschhotwater.com

Bosch Termotecnologia SA
Estrada de Cacia
3801 - 856 Aveiro - PORTUGAL